

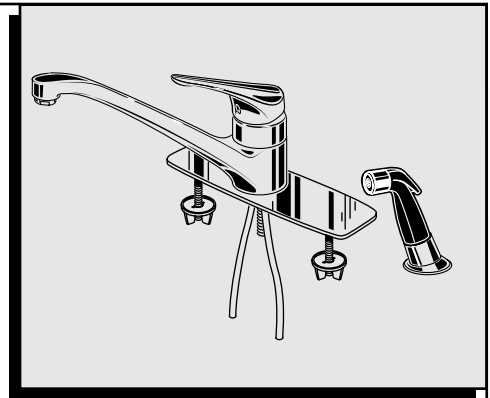
American Standard

CERAMIX™

KITCHEN FAUCETS

**2000.600R SERIES
2000.631R SERIES
2000.641R SERIES**

**Installation
Instructions**
**2021.600 SERIES
2021.604 SERIES
2021.631 SERIES
2021.634 SERIES
2021.641 SERIES
2021.644 SERIES**

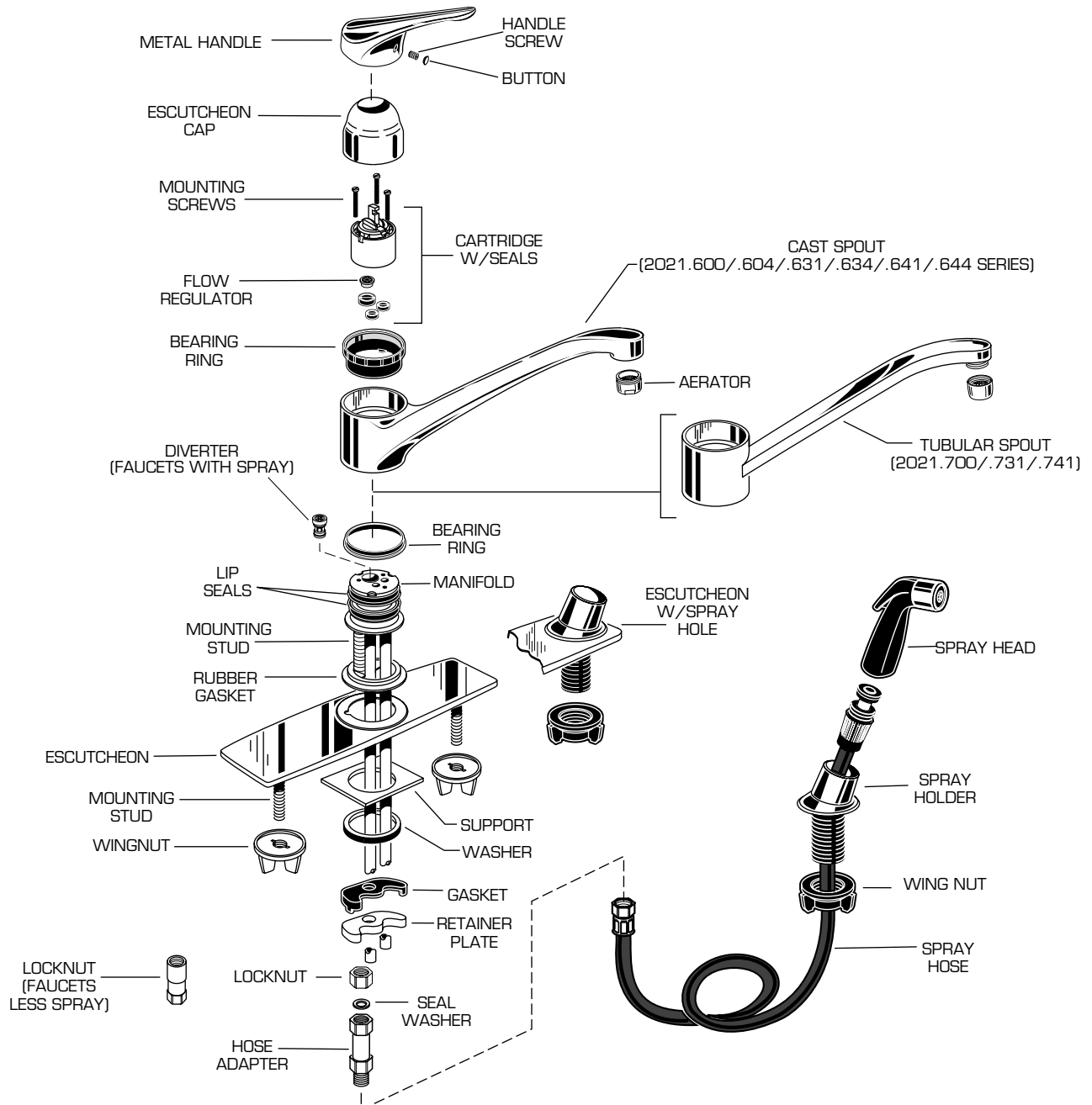


Thank you for selecting American-Standard...the benchmark of fine quality for over 100 years.

To ensure that your installation proceeds smoothly—please read these instructions carefully before you begin.

Certified to comply with ANSI A112.18.1M
U.S. PATENT NOS. 3,736,959; D291,234
5,301,715

M66240H-A



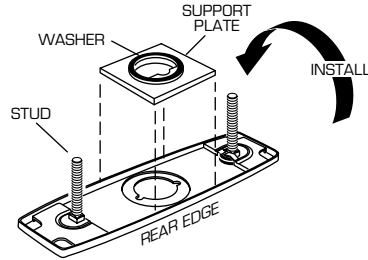
1

CAUTION

Turn off hot and cold water supplies before beginning.

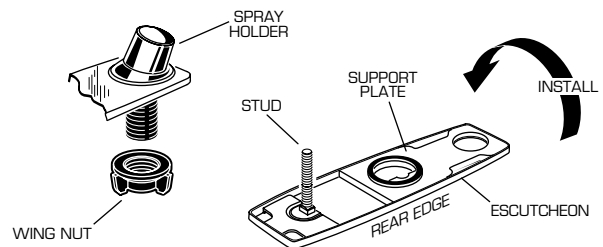
Install ESCUTCHEON (optional)

- Peel off paper backing from WASHER and stick WASHER into circular groove of the SUPPORT PLATE.
- Place SUPPORT PLATE in center of ESCUTCHEON with WASHER visible.
- Turn ESCUTCHEON over with notch of SUPPORT PLATE towards rear of sink, align STUDS with outer holes of sink and place ESCUTCHEON onto deck. Hole of SUPPORT PLATE must align with hole of sink.



FOR MODEL 2021.631/.634/.731 ONLY:

- Install ESCUTCHEON (as described on the left).
- Insert SPRAY HOLDER through side hole of installed ESCUTCHEON, add WING NUT to shank of SPRAY HOLDER from underside of sink. Center SPRAY HOLDER on ESCUTCHEON and secure by tightening WINGNUT.



2

FAUCET INSTALLATION

- Insert supply TUBES and threaded MOUNTING STUD through center hole of ESCUTCHEON and sink deck, or selected sink hole if ESCUTCHEON is not used.
- Make sure black RUBBER GASKET is properly centered on base.
- Orient faucet so that threaded STUD is centrally located towards rear of sink, then assemble RETAINER PLATE with GASKET, and thread LOCKNUT onto MOUNTING STUD from underside of sink.

- Hand tighten LOCKNUT and check that rotation of HANDLE from HOT to COLD is centered. Secure faucet by tightening LOCKNUT firmly (spread TUBES for better access to LOCKNUT).
- If using ESCUTCHEON, thread ESCUTCHEON WING NUTS onto studs from underside of sink and hand-tighten.
- Bend TUBES to meet supplies. Use palm of hand to support TUBES while bending to avoid kinking.
- Connect inlet TUBES to water supplies with appropriate connectors. Connect left TUBE to HOT water supply, and the right TUBE to the COLD water supply.

3

HAND SPRAY INSTALLATION

- **FOR MODEL 2000.631R/.641R, 2021.641/.644/.741 ONLY:**
- Place SPRAY HOLDER into the appropriate mounting hole, assemble WING NUT onto shank of SPRAY HOLDER from underside of sink and secure by tightening WING NUT.

ALL MODELS:

- Place SEAL WASHER into recess of HOSE ADAPTER and thread to MOUNTING STUD from underneath the SINK.
- Feed SPRAY HOSE through SPRAY HOLDER and attach COUPLING NUT of SPRAY HOSE to HOSE ADAPTER. Tighten COUPLING NUT firmly.
- Make certain that SPACER WASHER and RUBBER WASHER are attached to SPRAY HOSE and thread SPRAY HEAD to NUT.

4

TEST INSTALLED FAUCET

- Move handle down into "off" position, remove AERATOR.
- With HANDLE in "off" position, turn on water supplies and check all connections for leaks.

- Operate handle up and down, in COLD and HOT positions, to flush water lines thoroughly.
- Direct SPRAY HEAD into sink. Open faucet and activate spray. Check SPRAY HOSE connections for leaks.
- Move handle down into "off" position and replace AERATOR.

5

SERVICE

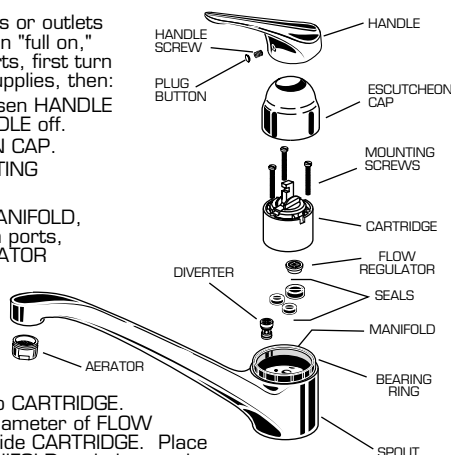
- Clogged CARTRIDGE inlets or outlets may cause reduced flow in "full on," hot or cold. To clean ports, first turn off Hot and Cold water supplies, then:

- Remove BUTTON, loosen HANDLE SCREW and pull HANDLE off.
- Remove ESCUTCHEON CAP.
- Remove three MOUNTING SCREWS.
- Lift CARTRIDGE off MANIFOLD, remove SEALS. Clean ports, SEALS, FLOW REGULATOR and MANIFOLD.

- If hand spray water flow is restricted, lift DIVERTER using long-nose pliers. Clean and replace.

- Insert SEALS back into CARTRIDGE. Make certain larger diameter of FLOW REGULATOR faces inside CARTRIDGE. Place CARTRIDGE onto MANIFOLD and alternately tighten the three MOUNTING SCREWS.

- Replace ESCUTCHEON CAP, HANDLE, and tighten HANDLE SCREW. Replace PLUG BUTTON.



- To replace SPOUT SEALS, remove CARTRIDGE as described on the left, then:

- Lift BEARING RING.
- Slip SPOUT off MANIFOLD and replace LIP SEALS and BEARING RING. Make certain SEALS are well lubricated.
- For assembly, proceed as above in reverse order.

- AERATOR may accumulate dirt causing distorted and reduced water flow. Remove, clean, and replace AERATOR.

- If faucet drips, operate HANDLE several times from "off" to "on." Do not apply excessive force.



HOTLINE FOR HELP
For toll-free information and answers to your questions, call:
1 (800) 223-0068
Weekdays 8:00 a.m. to 7:00 p.m. Eastern Time
IN CANADA 1-800-387-0369 (TORONTO 1-905-306-1093)

Product names listed herein are trademarks of American Standard Inc.
©American Standard Inc. 1999

M66240H-A