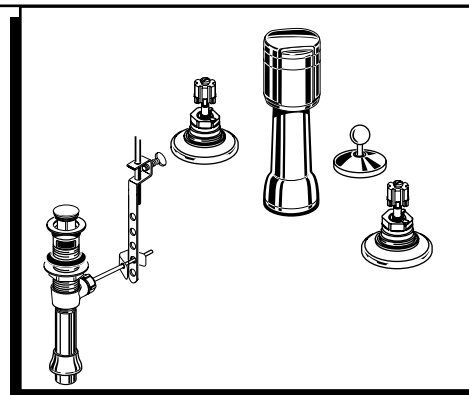


AMARILIS BIDET FITTING

Thank you for selecting American Standard...the benchmark of fine quality for over 100 years.

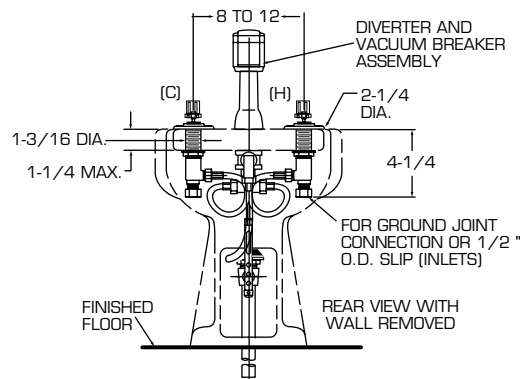
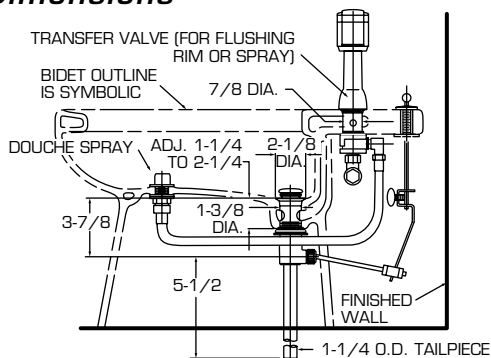
To ensure that your installation proceeds smoothly—please read these instructions carefully before you begin.



Certified to comply with ASME A112.18.1M
U.S. Patent No. 5,819,789

M968769C

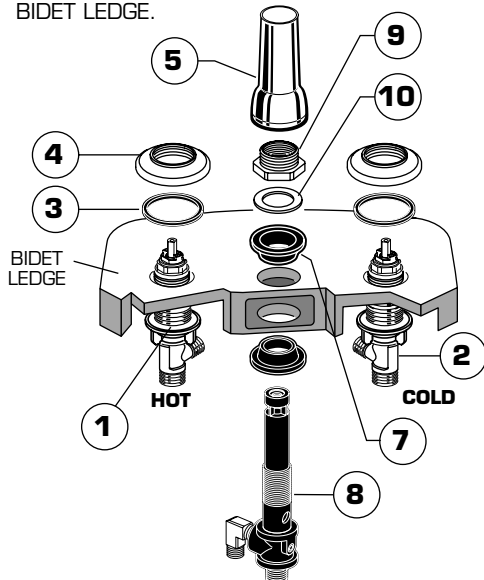
Roughing-in Dimensions



1 BIDET FAUCET INSTALLATION

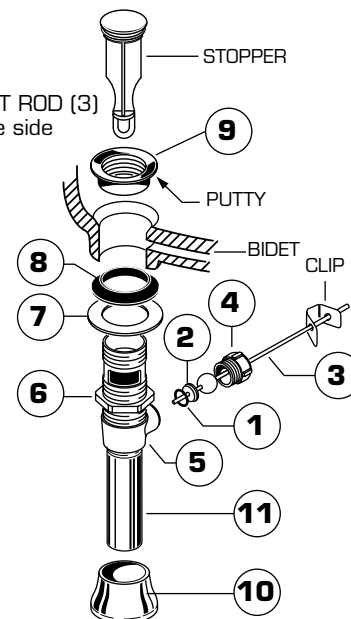
CAUTION Turn off hot and cold water supplies before beginning.

- Place MOUNTING NUTS (1) onto the VALVE BODIES (2) and insert VALVE BODIES (2) through outside holes, from underside of the BIDET LEDGE. Drop the RUBBER RING (3) over the VALVE BODIES (2) and screw on the ESCUTCHEON (4) until it locks against the internal stop.
- Tighten the MOUNTING NUT (1) to secure the VALVE BODY (2).
- Remove MOUNTING NUT (9), FRICTION RING (10) and UPPER GASKET (7) from TRANSFER VALVE (8) and insert into the center forward hole of BIDET.
- Replace UPPER GASKET (7) and FRICTION RING (10). Position the side threaded outlet rearward and secure MOUNTING NUT (9). Thread ESCUTCHEON (5) onto TRANSFER VALVE (8) until it seats against the BIDET LEDGE.



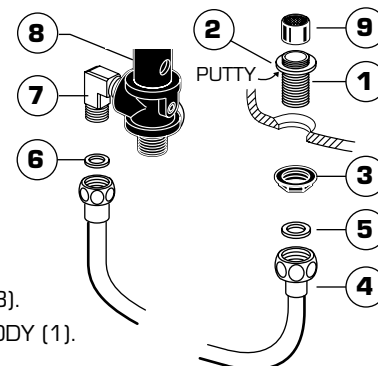
2 DRAIN INSTALLATION

- Assemble O-RING (1), WASHER (2), PIVOT ROD (3) and NUT (4) to DRAIN BODY (5). Concave side of cup WASHER (2) is toward ball.
- Thread LOCKNUT (6), WASHER (7) and GASKET (8) onto DRAIN BODY (5).
- Apply a bead of PUTTY to underside of FLANGE (9).
- Feed DRAIN BODY (5) up through BIDET and thread FLANGE (9) fully onto BODY (5).
- Tighten LOCKNUT (6) firmly, keeping the PIVOT ROD (3) pointed towards the back of the BIDET.
- Push DRAIN ESCUTCHEON (10) onto TAILPIECE (11).



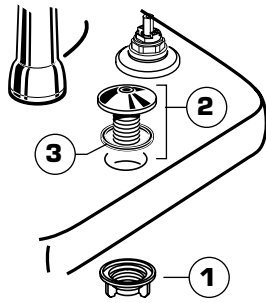
3 SPRAY INSTALLATION

- Assemble SPRAY BODY (1) to BIDET. Using putty, seal underside of SPRAY BODY FLANGE (2) and secure with NUT (3).
- Screw SPRAY HOSE (4) with SEAL WASHER (5) to SPRAY BODY (1). Connect other end of HOSE (4) with SEAL WASHER (6) to side outlet NIPPLE (7) of the TRANSFER VALVE (8).
- Screw SPRAY CAP (9) onto SPRAY BODY (1).



4 LIFT ROD GUIDE INSTALLATION

- Unscrew LIFT ROD NUT (1) from LIFT ROD GUIDE (2).
- Make sure SEAL (3) is seated into ESCUTCHEON of LIFT ROD GUIDE (2).
- Drop LIFT ROD GUIDE (2) into rear hole of bidet and from below secure with ROD GUIDE NUT (1).



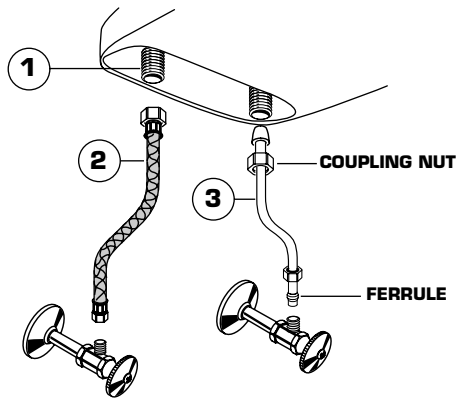
6 HANDLE INSTALLATION

- See separate instruction sheet supplied with handle kit for installation of handles.

7 WATER SUPPLY CONNECTIONS

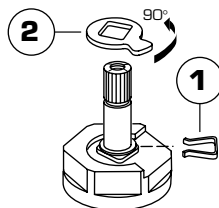
NOTE: FLEXIBLE SUPPLIES ARE NOT INCLUDED AND HAVE TO BE PURCHASED SEPARATELY.

- Connect water supplies to FAUCET (1) with 1/2" IPS FLEXIBLE SUPPLIES (2) or 3/8" O.D. BULL-NOSE RISERS (3). Use adjustable wrench to tighten connections.
- Do not over tighten. Be careful not to kink copper supply when bending. Use tubing cutter to cut to proper length.



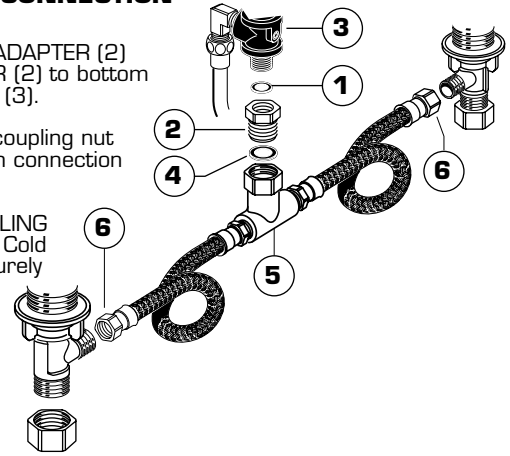
9 SERVICE

- To change direction of handle rotation, proceed as follows:
 - Turn valve to OFF position.
 - Remove HANDLE and ADAPTER if present.
 - Remove SPRING CLIP (1).
 - Lift STOP WASHER (2), turn 90° and replace.
 - Replace SPRING CLIP (1).
 - Replace HANDLE ASSEMBLY.
- Spray may accumulate dirt causing distorted and reduced water flow. Remove spray and rinse clean.
- Replace Spray and operate handles several times from OFF to ON position. Do not force, handles turn only 90°.



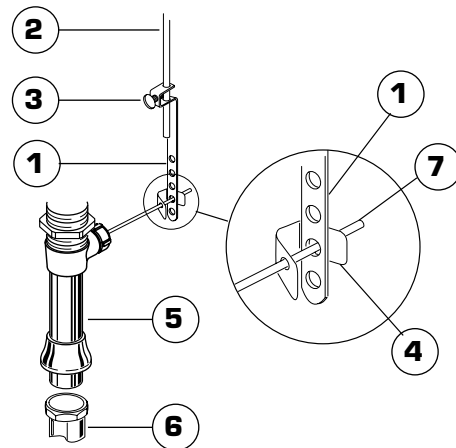
5 TEE AND HOSE CONNECTION

- Insert SEAL (1) into ADAPTER (2) and tighten ADAPTER (2) to bottom of TRANSFER VALVE (3).
- Install SEAL (4) into coupling nut of TEE (5) and tighten connection to ADAPTER (2).
- Connect HOSE COUPLING NUTS (6) to Hot and Cold valve bodies and securely tighten.



8 FINISH DRAIN INSTALLATION

- Position BIDET fixture and secure to floor.
- Insert lift rod into lift rod guide.
- Position EXTENSION ROD (1) onto POP-UP ROD (2) and tighten THUMBSCREW (3).
- Remove one end of CLIP (4) from PIVOT ROD (7) by squeezing ends together while sliding.
- Insert PIVOT ROD (7) into second or third hole in EXTENSION ROD (1) and reassemble CLIP (4). (EXTENSION ROD (1) may need to be bent.)
- Adjust STOPPER height by repositioning EXTENSION ROD (1) and tightening THUMBSCREW (3).
- Using metal TAILPIECE (5), make connection to the TRAP (6).



10 TEST INSTALLED FAUCET

- With handles in OFF position, turn on water supplies and check all connections for leaks.
- Operate both handles to flush water lines thoroughly. Turn diverter to rim wash and bidet spray.

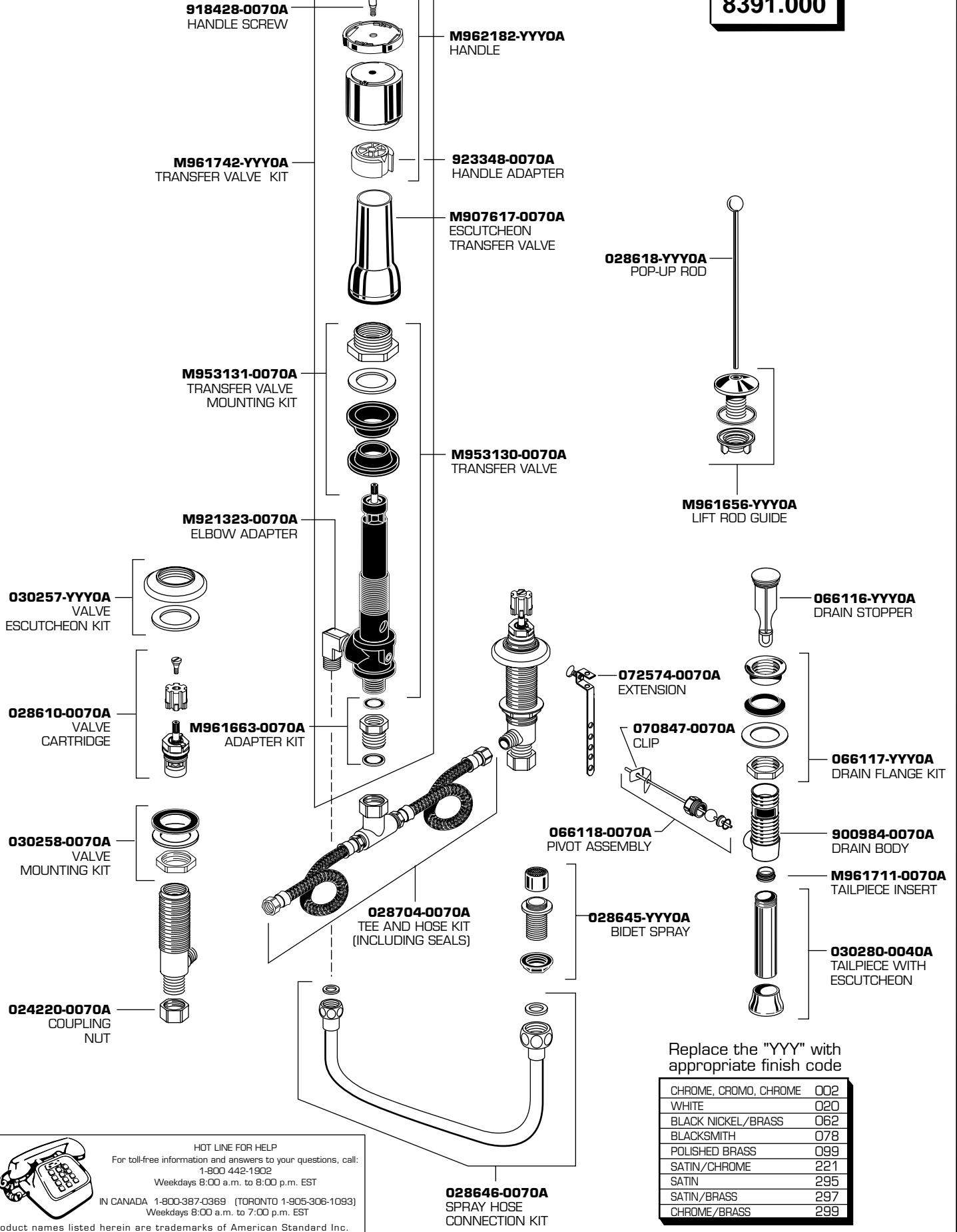
11 CARE INSTRUCTIONS:

- **DO: SIMPLY RINSE THE PRODUCT CLEAN WITH CLEAR WATER. DRY WITH A SOFT COTTON FLANNEL CLOTH.**
- **DO NOT: DO NOT CLEAN THE PRODUCT WITH SOAPS, ACID, POLISH, ABRASIVES, HARSH CLEANERS, OR A CLOTH WITH A COARSE SURFACE.**

AMARILIS BIDET FITTING

BIDET FITTING MODEL NUMBERS

8391.000



Replace the "YYY" with appropriate finish code

CHROME, CROMO, CHROME	002
WHITE	020
BLACK NICKEL/BRASS	062
BLACKSMITH	078
POLISHED BRASS	099
SATIN/CHROME	221
SATIN	295
SATIN/BRASS	297
CHROME/BRASS	299



HOT LINE FOR HELP
For toll-free information and answers to your questions, call:
1-800 442-1902
Weekdays 8:00 a.m. to 8:00 p.m. EST

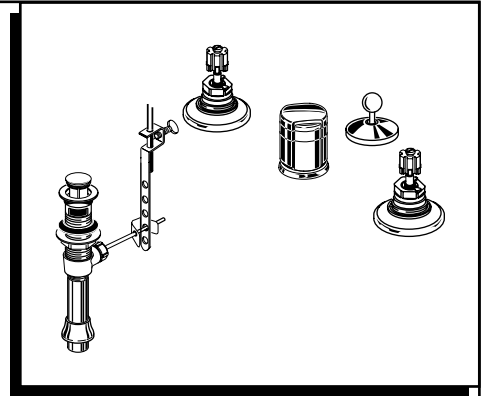
IN CANADA 1-800-387-0369 (TORONTO 1-905-306-1093)
Weekdays 8:00 a.m. to 7:00 p.m. EST

Product names listed herein are trademarks of American Standard Inc.
© American Standard Inc. 2002

AMARILIS BIDET FITTING

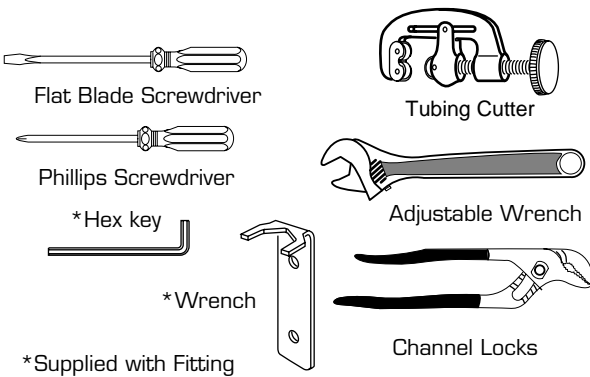
Thank you for selecting American-Standard...the benchmark of fine quality for over 100 years.

To ensure that your installation proceeds smoothly—please read these instructions carefully before you begin.



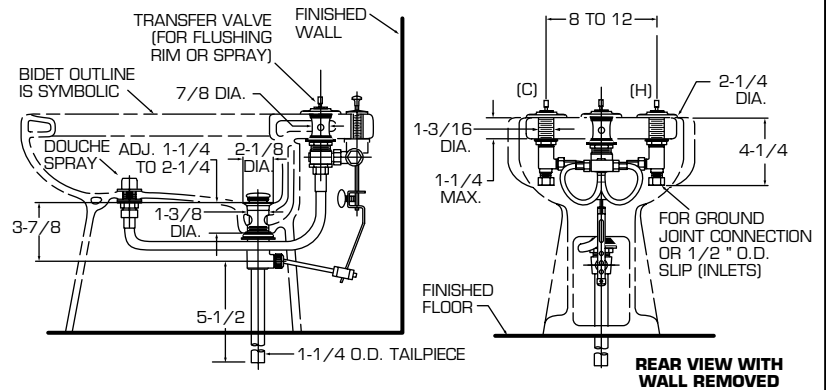
M968794A

Required Tools



*Supplied with Fitting

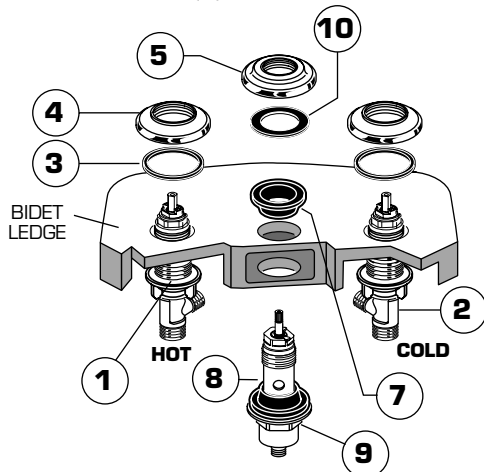
Roughing-in Dimensions



1 BIDET FAUCET INSTALLATION

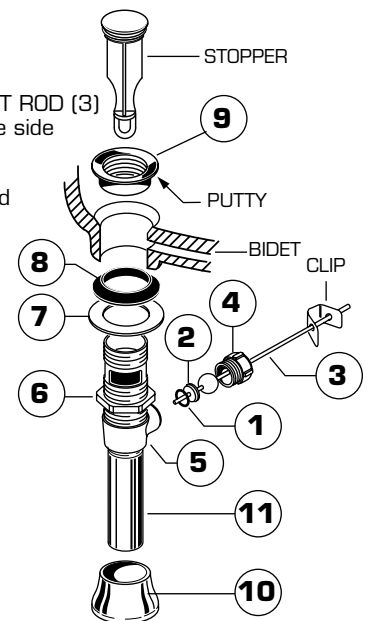
CAUTION Turn off hot and cold water supplies before beginning.

- Place MOUNTING NUTS (1) onto the VALVE BODIES (2) and insert VALVE BODIES (2) through outside holes, from underside of the BIDET LEDGE. Drop the RUBBER RING (3) over the VALVE BODIES (2) and screw on the ESCUTCHEON (4) until it locks against the internal stop.
- Tighten the MOUNTING NUT (1) to secure the VALVE BODY (2).
- Remove ESCUTCHEON (5), WASHER (10) and UPPER GASKET (7) from TRANSFER VALVE (8) and insert into the center forward hole of BIDET.
- Replace UPPER GASKET (7), and ESCUTCHEON (5) until it locks against the internal stop. Position the side threaded outlet rearward and secure MOUNTING NUT (9).



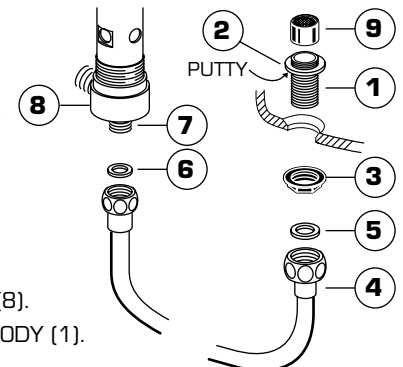
2 DRAIN INSTALLATION

- Assemble O-RING (1), WASHER (2), PIVOT ROD (3) and NUT (4) to DRAIN BODY (5). Concave side of cup WASHER (2) is toward ball.
- Assemble LOCKNUT (6), WASHER (7) and GASKET (8) onto DRAIN BODY (5).
- Apply a bead of PUTTY to underside of FLANGE (9).
- Feed DRAIN BODY (5) up through BIDET and thread FLANGE (9) fully onto BODY (5).
- Tighten LOCKNUT (6) firmly, keeping the PIVOT ROD (3) pointed towards the back of the BIDET.
- Push DRAIN ESCUTCHEON (10) onto TAILPIECE (11).



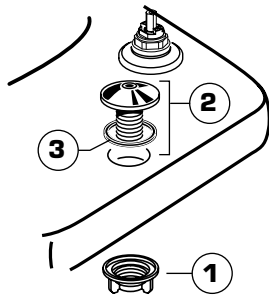
3 SPRAY INSTALLATION

- Assemble SPRAY BODY (1) to BIDET. Using putty, seal underside of SPRAY BODY FLANGE (2) and secure with NUT (3).
- Screw SPRAY HOSE (4) with SEAL WASHER (5) to SPRAY BODY (1). Connect other end of HOSE (4) with SEAL WASHER (6) to bottom outlet NIPPLE (7) of the TRANSFER VALVE (8).
- Screw SPRAY CAP (9) onto SPRAY BODY (1).



4 LIFT ROD GUIDE INSTALLATION

- Unscrew LIFT ROD NUT (1) from LIFT ROD GUIDE (2).
- Make sure SEAL (3) is seated into ESCUTCHEON of LIFT ROD GUIDE (2).
- Drop LIFT ROD GUIDE (2) into rear hole of bidet and from below secure with ROD GUIDE NUT (1).



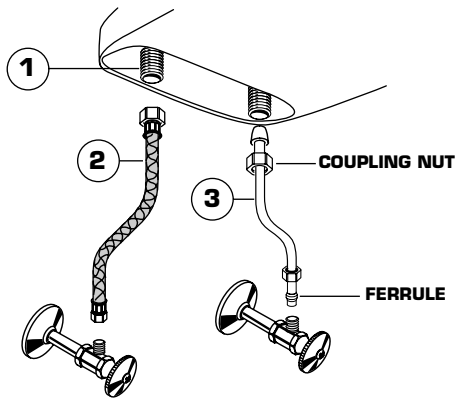
6 HANDLE INSTALLATION

- See separate instruction sheet supplied with handle kit for installation of handles.

7 WATER SUPPLY CONNECTIONS

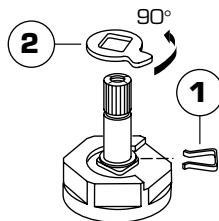
NOTE: FLEXIBLE SUPPLIES OR BULL NOSE RISERS ARE NOT INCLUDED AND HAVE TO BE PURCHASED SEPARATELY.

- Connect water supplies to FAUCET (1) with 1/2" IPS FLEXIBLE SUPPLIES (2) or 3/8" O.D. BULL-NOSE RISERS (3). Use adjustable wrench to tighten connections.
- Do not over tighten. Be careful not to kink copper supply when bending. Use tubing cutter to cut to proper length.



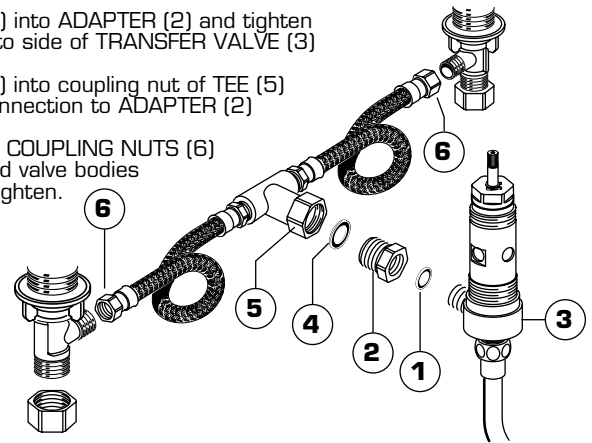
9 SERVICE

- To change direction of handle rotation, proceed as follows:
 - Turn valve to OFF position.
 - Remove HANDLE and ADAPTER if present.
 - Remove SPRING CLIP (1).
 - Lift STOP WASHER (2), turn 90° and replace.
 - Replace SPRING CLIP (1).
 - Replace HANDLE ASSEMBLY.
- Spray may accumulate dirt causing distorted and reduced water flow. Remove spray and rinse clean.
- Replace Spray and operate handles several times from OFF to ON position. Do not force, handles turn only 90°.



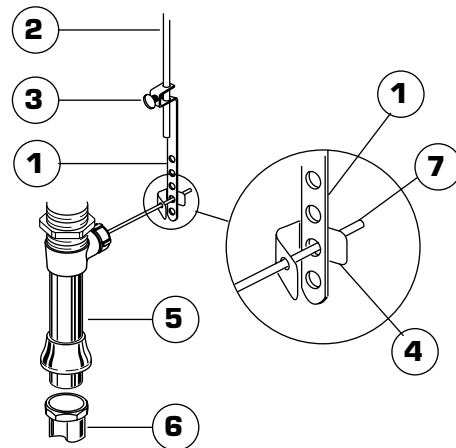
5 TEE AND HOSE CONNECTION

- Insert SEAL (1) into ADAPTER (2) and tighten ADAPTER (2) to side of TRANSFER VALVE (3)
- Install SEAL (4) into coupling nut of TEE (5) and tighten connection to ADAPTER (2)
- Connect HOSE COUPLING NUTS (6) to Hot and Cold valve bodies and securely tighten.



8 FINISH DRAIN INSTALLATION

- Position BIDET fixture and secure to floor.
- Insert lift rod into lift rod guide.
- Position EXTENSION ROD (1) onto POP-UP ROD (2) and tighten THUMBSCREW (3).
- Remove one end of CLIP (4) from PIVOT ROD (7) by squeezing ends together while sliding.
- Insert PIVOT ROD (7) into second or third hole in EXTENSION ROD (1) and reassemble CLIP (4). (EXTENSION ROD (1) may need to be bent.)
- Adjust STOPPER height by repositioning EXTENSION ROD (1) and tightening THUMBSCREW (3).
- Using metal TAILPIECE (5), make connection to the TRAP (6).



10 TEST INSTALLED FAUCET

- With handles in OFF position, turn on water supplies and check all connections for leaks.
- Operate both handles to flush water lines thoroughly. Turn diverter to rim wash and bidet spray.

11 CARE INSTRUCTIONS:

- **DO: SIMPLY RINSE THE PRODUCT CLEAN WITH CLEAR WATER. DRY WITH A SOFT COTTON FLANNEL CLOTH.**
- **DO NOT: DO NOT CLEAN THE PRODUCT WITH SOAPS, ACID, POLISH, ABRASIVES, HARSH CLEANERS, OR A CLOTH WITH A COARSE SURFACE.**