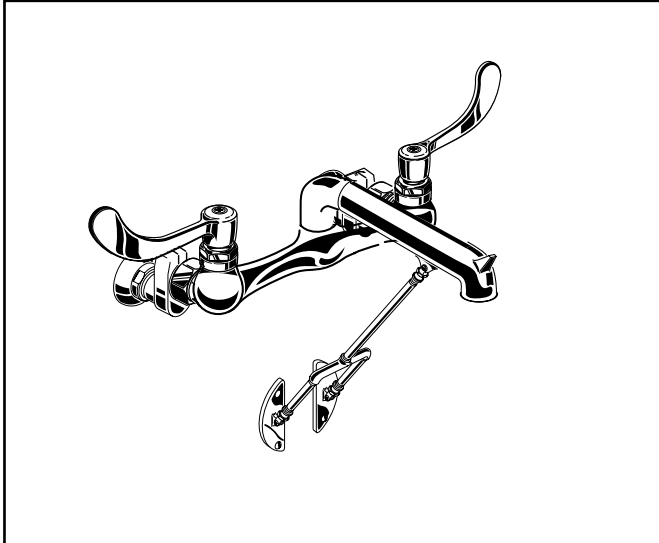


American Standard

COMMERCIAL

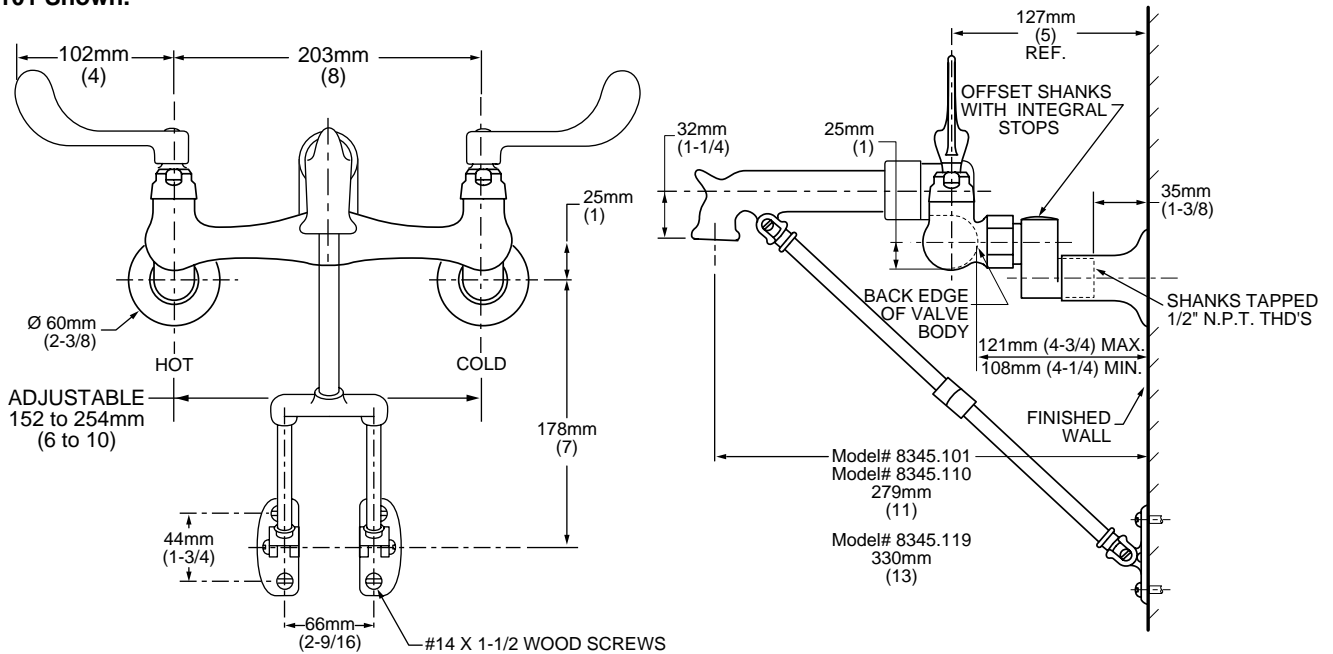
EXPOSED YOKE WALL MOUNT UTILITY FAUCET WITH BOTTOM FORK BRACE



8345.101 Shown.

MODEL NUMBER:

- ❑ **8345.101 Exposed Yoke Wall-Mount Utility Faucet**
Bottom fork brace. Stops in shanks. Brass Wrist Blade Handles. 6" spout with plain end. 1/2" NPT female inlets.
- ❑ **8345.110 Exposed Yoke Wall-Mount Utility Faucet with Vacuum Breaker**
Bottom fork brace. Stops in shanks. Brass Wrist Blade Handles. 6" spout with Threaded hose end. 1/2" NPT female inlets. Vacuum breaker.
- ❑ **8345.119 Exposed Yoke Wall-Mount Utility Faucet**
Bottom fork brace. Stops in shanks. Brass Wrist Blade Handles. 8" spout with plain end. 1/2" NPT female inlets.



GENERAL DESCRIPTION:

Cast brass body. Brass wrist blade handles with red and blue color indicators. 1/4 turn ceramic disc valve cartridges that are reversible for use on both "hot" and "cold" sides. Brass spout with bucket hook, bottom fork braced to wall. Vacuum breaker (on model 8345.110) prevents backflow. Offset shanks with integral stops. 1/2" female inlets (adjustable from 6" to 10").

PRODUCT FEATURES:

- Cast Brass Construction:** Durable - Excellent in high use applications.
- Ceramic Disc Valve Cartridges:** Assure a lifetime of drip-free performance.
- Offset Shanks with Integral Stops:** Permits easy and convenient access. Adjustable rough in from 6 to 10 inches.
- Bottom Brace:** Provides additional support.
- Polished Chrome:** Excellent in commercial applications.

SUGGESTED SPECIFICATION

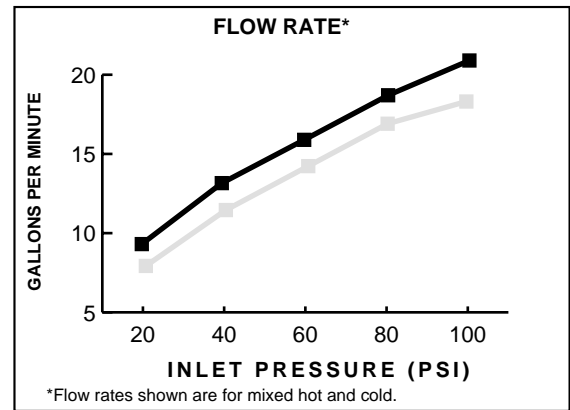
Exposed yoke wall-mount utility faucet shall feature a cast brass body, brass wrist blade handles, brass spout with bucket hook, bottom brace and stops in shanks. Shall also feature 1/4 turn washerless ceramic disc valve cartridges. Fitting shall be American Standard Model # 8345.____.002.

EXPOSED YOKE WALL MOUNT UTILITY FAUCET WITH BOTTOM FORK BRACE

CODES AND STANDARDS


These products meet or exceed the following codes and standards:

- ASME A112.18.1M
- CSA B 125
- ASSE 1001 (8345.110 ONLY)
- ANSI A117.1



- - Flow rates for 8345.110
- - Flow rates for 8345.101 and 8345.119

| Product Number | Description | Finish |
|----------------|--|---------------------|
| | | Polished Chrome 002 |
| 8345.101 | Exposed yoke wall-mount utility faucet. Bottom fork brace. 6" spout with plain end. | |
| 8345.110 | Exposed yoke wall-mount utility faucet. Bottom fork brace. 6" spout with threaded end. With Vacuum Breaker | |
| 8345.119 | Exposed yoke wall-mount utility faucet. Bottom fork brace. 8" spout with plain end. | |

 Meets the American Disabilities Act Guidelines and **ANSI A117.1** Requirements for the physically challenged.