

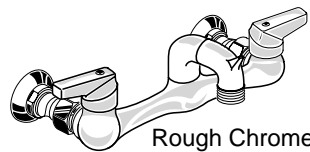
# American Standard

## COMMERCIAL

### EXPOSED YOKE WALL MOUNT UTILITY FAUCET



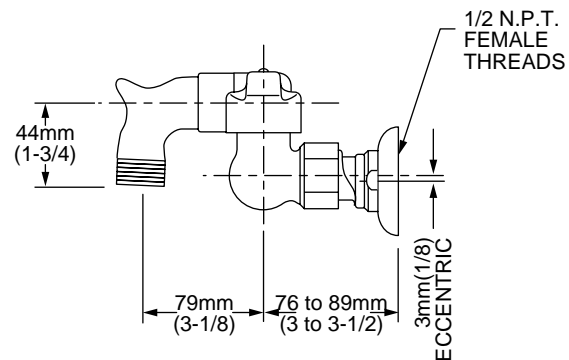
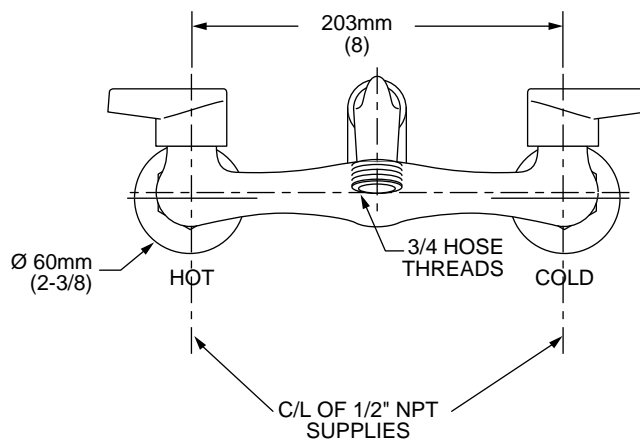
Polished Chrome



Rough Chrome

#### MODEL NUMBER:

- 8340.235 Exposed Yoke Wall-Mount Utility Faucet  
Metal Lever handles. 1/2" NPT female inlets.



#### GENERAL DESCRIPTION:

Cast brass body. Metal lever handles with hot and cold indicators. 1/4 turn ceramic disc valve cartridges that are reversible for use on both "hot" and "cold" sides. Spout with bucket hook and threaded hose end. 1/2" female inlets on 8" (203mm) centers.

#### PRODUCT FEATURES:

**Cast Brass Construction:** Durable - Excellent in high use applications.

**Ceramic Disc Valve Cartridges:** Assure a lifetime of drip-free performance.

**Choice of Finishes:** Available in Polished or Rough Chrome.

#### SUGGESTED SPECIFICATION

Exposed yoke wall-mount utility faucet shall feature a cast brass body and spout with bucket hook and metal lever handles. Shall also feature 1/4 turn washerless ceramic disc valve cartridges. Fitting shall be American Standard Model # 8340.235.

# American Standard

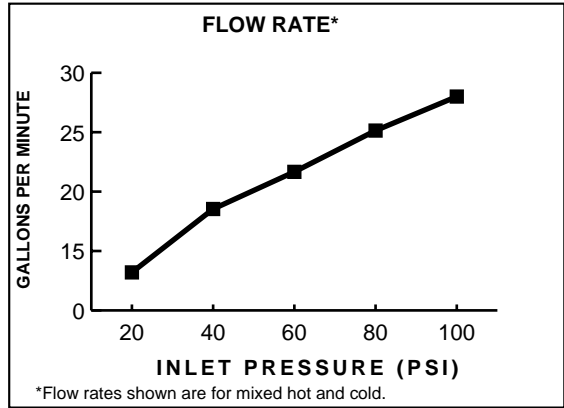
## COMMERCIAL

### EXPOSED YOKE WALL MOUNT UTILITY FAUCET


#### CODES AND STANDARDS

These products meet or exceed the following codes and standards:

- ASME A112.18.1M
- CSA B 125
- ANSI A117.1



Product Number	Description	Finish Options	
		Polished Chrome 002	Rough Chrome 004
8340.235	Exposed yoke wall-mount utility faucet.		

 Meets the American Disabilities Act Guidelines and **ANSI A117.1** Requirements for the physically challenged.