

CULINAIRE 39" STAINLESS STEEL KITCHEN SINK

7510.103 Single Faucet Hole

- 18 Gauge Stainless Steel
- 18/10 Chrome Nickel content
- Dual level bowl w/drainboard design
- Self-rimming
- One accessory hole
- Mounting clips supplied

Nominal Dimensions: 39" x 22" x 9" x 5"
(990 x 559 x 229 x 129mm)

Bowl sizes:

Right Hand: 6" (150mm) wide, 13-1/2" (343mm) front to back, 4-3/4" (121mm) deep
Left Hand: 21" (540mm) wide, 18-3/4" (476mm) front to back, 8-5/8" (219mm) deep

Compliance Certifications -

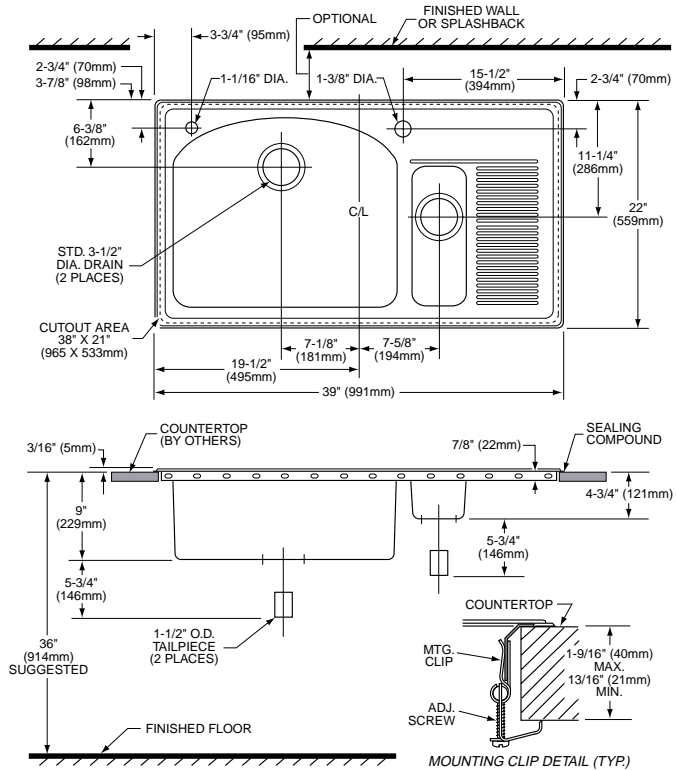
Meets or Exceeds the Following Specifications:

- ASME A112.19.3 for Stainless Steel Plumbing Fixtures
- CSA B45 for Plumbing Fixtures

NOTES:

FITTINGS NOT INCLUDED AND MUST BE ORDERED SEPARATELY. PROVIDE SUITABLE REINFORCEMENT FOR ALL WALL AND COUNTERTOP SUPPORTS.

IMPORTANT: Dimensions of fixtures are nominal and may vary within the range of tolerances established by ANSI Standard Z124.6. These measurements are subject to change or cancellation. No responsibility is assumed for use of superseded or voided leaflet.



To Be Specified:

- | | |
|--|--|
| <input type="checkbox"/> Color: Stainless Steel | <input type="checkbox"/> Vinyl Coated Bottom Rack-Sm: 7412.100 |
| <input type="checkbox"/> Faucet*: | <input type="checkbox"/> Vinyl Coated Dish Rack-Sm: 7532.100 |
| <input type="checkbox"/> Faucet Finish: | <input type="checkbox"/> Wood Cutting Board-Rec: 9001.100 |
| <input type="checkbox"/> Basket Strainer: 4331.013 | <input type="checkbox"/> Synthetic Cutting Board-Rec: 9009.100 |
| <input type="checkbox"/> Soap Dispenser: 4503.115 | <input type="checkbox"/> Wood Cutting Board-Sq: 9005.100 |
| <input type="checkbox"/> Vinyl Coated Bottom Rack-Lg: 7414.000 | <input type="checkbox"/> Synthetic Cutting Board-Sq: 9011.100 |
| <input type="checkbox"/> Remote Access Drain-Sgl Ctrl: 8780.010 | <input type="checkbox"/> Steel Colander: 8130.100 |
| <input type="checkbox"/> Remote Access Drain-Dual Ctrl: 8782.020 | |

* See faucet section for additional models available