

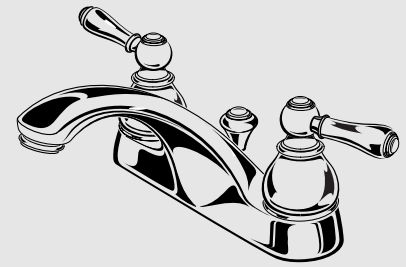
American Standard

Installation Instructions

HAMPTON

CENTERSET FAUCETS

7411.702
7411.712
7411.722
7411.732

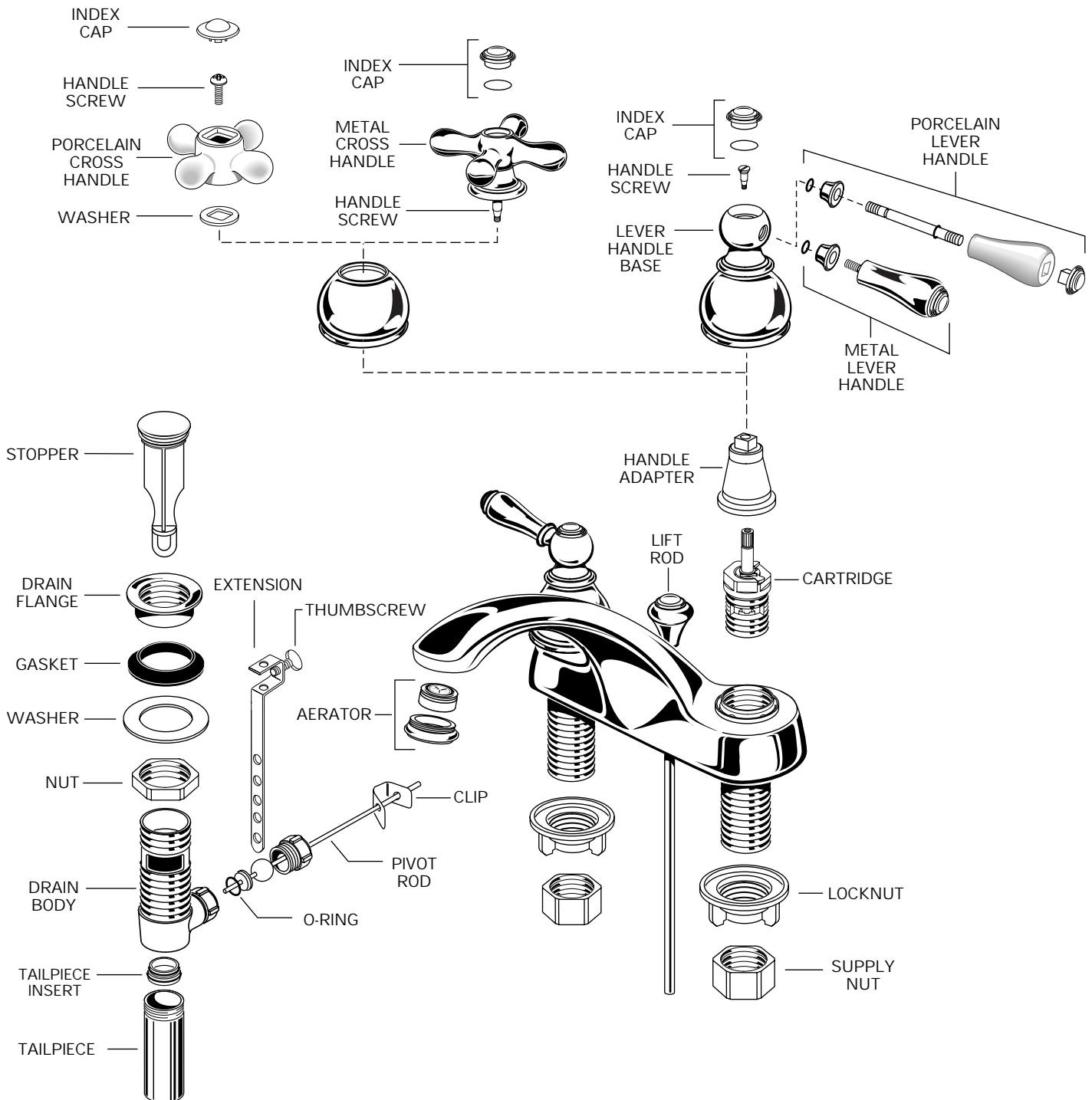


Thank you for selecting American-Standard...the benchmark of fine quality for over 100 years.

To ensure that your installation proceeds smoothly--please read these instructions carefully before you begin.

Certified to comply with ASME A112.18.1M
U.S. Patent No. D401,673; 5,819,789

US60402B

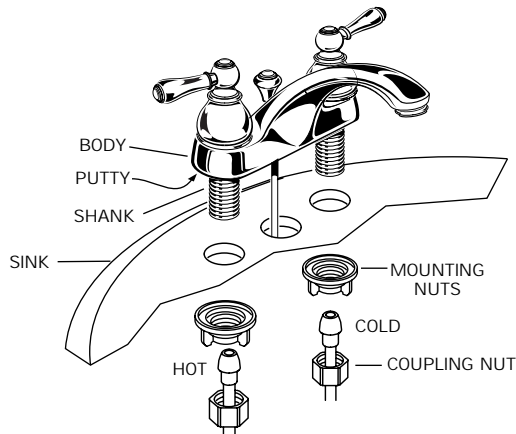
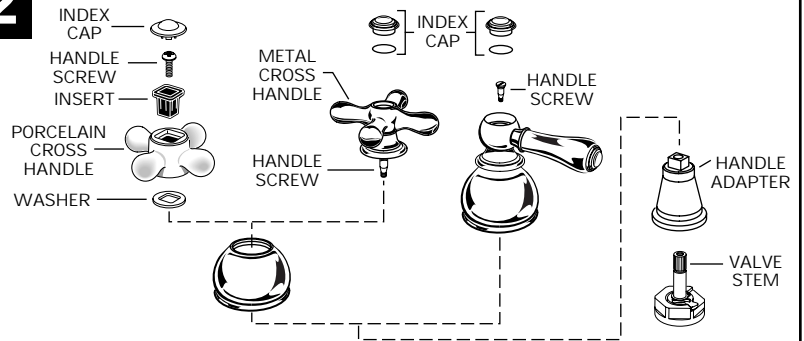


1**CAUTION**

Turn off hot and cold water supplies before beginning.

INSTALL FAUCET

- Apply a bead of PUTTY along the edge of the underside of the BODY. Insert faucet SHANKS through holes of SINK.
- Assemble MOUNTING NUTS from underside of SINK. Drop LIFT ROD through hole in BODY, align BODY as far forward as possible and secure position by tightening MOUNTING NUTS.
- Connect the HOT water supply to the left SHANK and the COLD water supply to the right SHANK using sealant, appropriate connectors, and COUPLING NUTS.

**2****INSTALL HANDLES****FOR LEVER HANDLES**

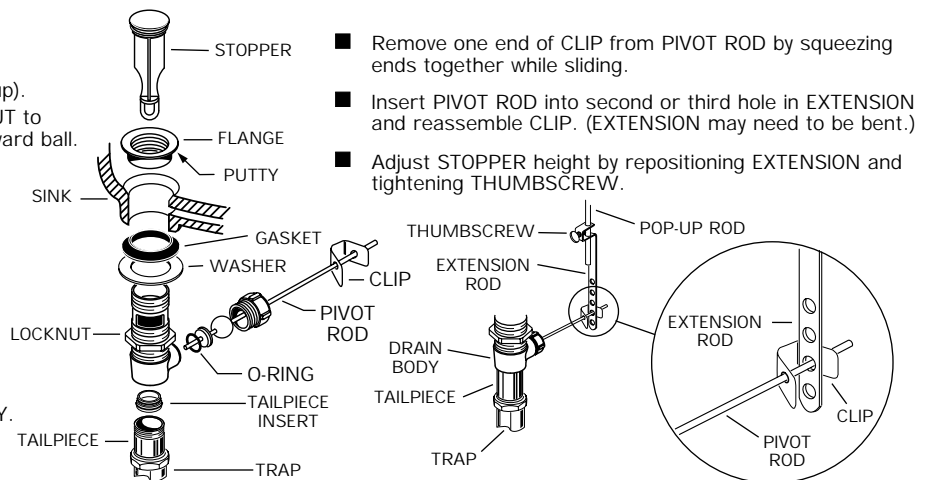
- Turn VALVE into OFF position.
- Push ADAPTER into HANDLE BASE in a way that the male square on the ADAPTER fits in the female square of the HANDLE BASE.
- Push HANDLE and ADAPTER onto VALVE STEM.
- Check alignment, if not satisfactory aligned;
 - Push out ADAPTER carefully.
- Turn ADAPTER either 45° or 90° so that male square on ADAPTER catches different female square in HANDLE BASE.
- Assemble and tighten MOUNTING SCREW.
- Push INDEX CAP in top of HANDLE.

FOR CROSS HANDLES

- Turn VALVE into OFF position.
- Push ADAPTER into HANDLE BASE.
- Push HANDLE and ADAPTER onto VALVE STEM.
- Push CROSS onto ADAPTER.
- Assemble and tighten HANDLE SCREW.
- Push INDEX CAP in top of HANDLE.

3**INSTALL POP-UP DRAIN**

- Push TAILPIECE down into TRAP (threaded end up).
- Assemble O-RING, WASHER, PIVOT ROD and NUT to DRAIN BODY. Convave side of cup washer is toward ball.
- Thread LOCKNUT, WASHER and GASKET onto DRAIN BODY.
- Apply a bead of PUTTY to underside of FLANGE.
- Feed DRAIN BODY up through SINK and thread FLANGE fully onto BODY.
- Tighten LOCKNUT firmly, keeping the PIVOT ROD pointed towards the back of the SINK.
- Drop STOPPER into DRAIN BODY.
- Push TAILPIECE INSERT onto TAILPIECE and pull TAILPIECE up and thread tightly into DRAIN BODY.
- Position EXTENSION ROD onto POP-UP ROD and tighten THUMBSCREW.



- Remove one end of CLIP from PIVOT ROD by squeezing ends together while sliding.
- Insert PIVOT ROD into second or third hole in EXTENSION and reassemble CLIP. (EXTENSION may need to be bent.)
- Adjust STOPPER height by repositioning EXTENSION and tightening THUMBSCREW.

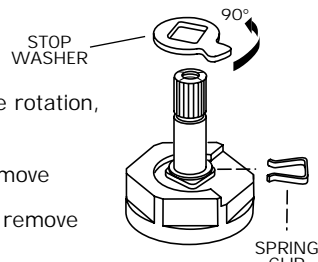
4**TEST INSTALLED FAUCET**

- Remove AERATOR.
- With handle in OFF position, turn on water supplies and check all connections for leaks.

- Operate both handles to flush water lines thoroughly.
- Operate LIFT ROD and check DRAIN for leaks.
- Turn handles into OFF position and replace AERATOR.

5**SERVICE**

- To change direction of handle rotation, proceed as follows:
 - Turn valve to OFF position.
 - Pull out INDEX CAP and remove HANDLE SCREW.
 - Pull off HANDLE BASE and remove ADAPTER.
 - Remove SPRING CLIP.
 - Lift STOP WASHER, turn 90° and replace.
 - Replace SPRING CLIP.
 - Reinstall HANDLE. (See step 2).



- AERATOR may accumulate dirt causing distorted and reduced water flow. Remove AERATOR and rinse clean.
- If spout drips, operate handles several times from OFF to ON position. Do not force - handles turn only 90°.



HOTLINE FOR HELP
For toll-free information and answers to your questions, call:
1 (800) 223-0068
Weekdays 8:00 a.m. to 7:00 p.m. Eastern Time
Saturdays 8:00 a.m. to 4:00 p.m. Eastern Time
IN CANADA 1-800-387-0369 (TORONTO 1-416-536-5609)