

**SILHOUETTE 38"™ DUAL LEVEL KITCHEN SINK**

- Americast brand engineered material
- Dual level design
- Self-rimming or undercounter installation
- Fits most standard 36" cabinet bases
- Silicone sealant supplied
- Available in 1, 3, 4, or 5 faucet hole configuration

**Self-Rimming:**

- 7196.001** Center hole only
- 7196.803** 3 hole
- 7196.804** 4 hole
- 7196.805** 5 hole

**Undercounter Installation:**

- 791001-100** Mounting Kit (consists of cut-out templates and mounting kits)

NOTE: For undercounter installation order self-rimming model with desired hole punchings along with 791001-100 Mounting Kit.

Nominal Dimensions: 965 x 559 x 241mm  
(38" x 22" x 9-1/2")

**Bowl sizes:**

Right Hand: 318mm (12-1/2") wide, 413mm (16-1/4") front to back 178mm (7") deep  
Left Hand: 527mm (20-3/4") wide, 476mm (18-3/4") front to back 229mm (9") deep

**Compliance Certifications -**

**Meets or Exceeds the Following Specifications:**

- ASME A112.19.4M for Americast Plumbing Fixtures
- ASTM E162 for Flammability
- NFPA 258 for Smoke Density



Self-Rimming model (faucet not included)



Undercounter Installation (faucet not included)

**To Be Specified**

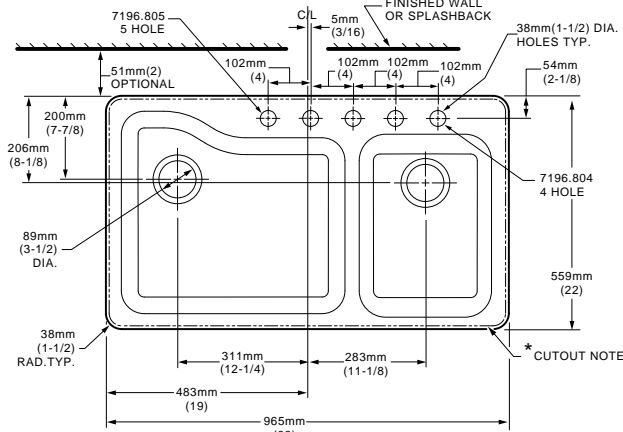
- Color:
- Faucet\*:
- Faucet Finish:
- Basket Strainer: 4331.013
- Soap Dispenser: 4503.115, Color:
- Traps:

See Pgs. KSS-05B & 05C for Colors and information on the following items:

- Coated Wire Utility Basket: 7346.100, Color:
- Wood Cutting Board: 9000.250
- Colander for Cutting Board: 8102.100, Color:
- Large Colander: 8103.100, Color:
- Deep Web Colander: 8105.100, Color:
- Shallow Web Colander: 8104.100, Color:
- Web Cover: 8106.100, Color:

\* See faucet section for additional models available

7196.803/804/805



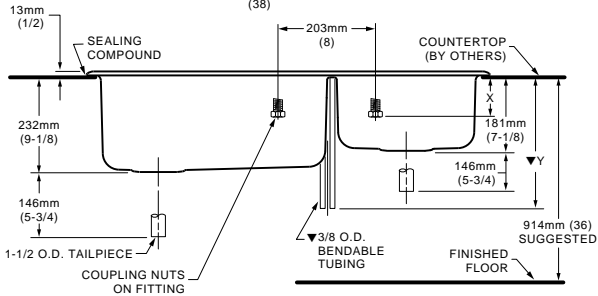
NOTES:

\* COUNTERTOP CUTOUT 527mm x 933mm x 25mm RADIUS (20-3/4 X 36-3/4 WITH 1" RADIUS) AT CORNERS.

FITTINGS NOT INCLUDED AND MUST BE ORDERED SEPARATELY. PROVIDE SUITABLE REINFORCEMENT FOR ALL WALL AND COUNTERTOP SUPPORTS.

IMPORTANT: Dimensions of fixtures are nominal and may vary within the range of tolerances established by ANSI Standard A112.19.4

These measurements are subject to change or cancellation. No responsibility is assumed for use of superseded or voided leaflet.



FAUCET	7196.803	7196.804	X	Y▼
CERAMIX	2021.700	2021.741	—	327mm(12-7/8)
RELIANT	4205.241	4205.217	—	254mm(10)
HERITAGE TOP MOUNT	6270.000	6279.000	44mm(1-3/4)	—
AMARILIS BOTTOM MOUNT	7270.SER.	7271.SER.	95mm(3-3/4)	—

NOTES:

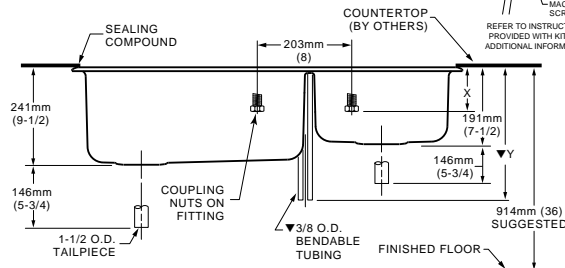
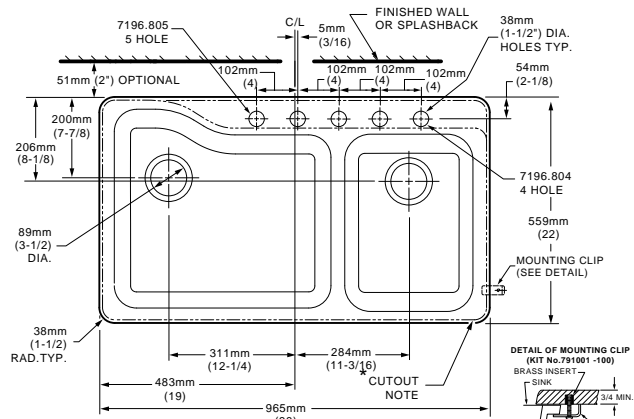
\* TEMPLATE PROVIDED WITH MOUNTING KIT 791001-100 FOR EXPOSED FAUCET DECK OR UNDERCOUNTER FAUCET DECK COUNTERTOP CUTOUT VARIATIONS

FITTINGS NOT INCLUDED AND MUST BE ORDERED SEPARATELY. PROVIDE SUITABLE REINFORCEMENT FOR ALL WALL AND COUNTERTOP SUPPORTS.

IMPORTANT: Dimensions of fixtures are nominal and may vary within the range of tolerances established by ANSI Standard A112.19.4

These measurements are subject to change or cancellation. No responsibility is assumed for use of superseded or voided leaflet.

Undercounter Mount



FAUCET	7196.803	7196.804	X	Y▼
CERAMIX	2021.700	2021.741	—	327mm(12-7/8)
RELIANT	4205.241	4205.217	—	254mm(10)
HERITAGE TOP MOUNT	6270.000	6279.000	44mm(1-3/4)	—
AMARILIS BOTTOM MOUNT	7270.SER.	7271.SER.	95mm(3-3/4)	—

**SILHOUETTE 38"™ DUAL LEVEL KITCHEN SINK**

- Americast brand engineered material
- Dual level design
- Tile-edge installation
- Fits most standard 36" cabinet bases
- Silicone Sealant supplied
- Available in 1, 3, 4, or 5 faucet hole configuration

**Tile Edge:**

- 7196.011** Center hole only
- 7196.813** 3 hole
- 7196.814** 4 hole
- 7196.815** 5 hole

Nominal Dimensions: 965 x 559 x 241mm  
(38" x 22" x 9-1/2")

**Bowl sizes:**

Right Hand: 318mm (12-1/2") wide, 413mm  
(16-1/4") front to back 178mm (7") deep  
Left Hand: 527mm (20-3/4") wide, 476mm  
(18-3/4") front to back 229mm (9") deep

**Compliance Certifications -**

**Meets or Exceeds the Following Specifications:**

- ASME A112.19.4M for Americast Plumbing Fixtures
- ASTM E162 for Flammability
- NFPA 258 for Smoke Density



**To Be Specified**

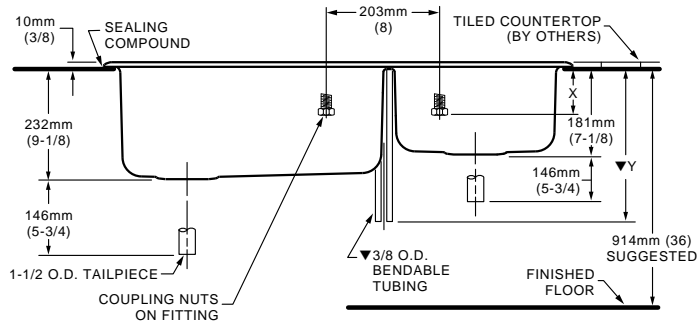
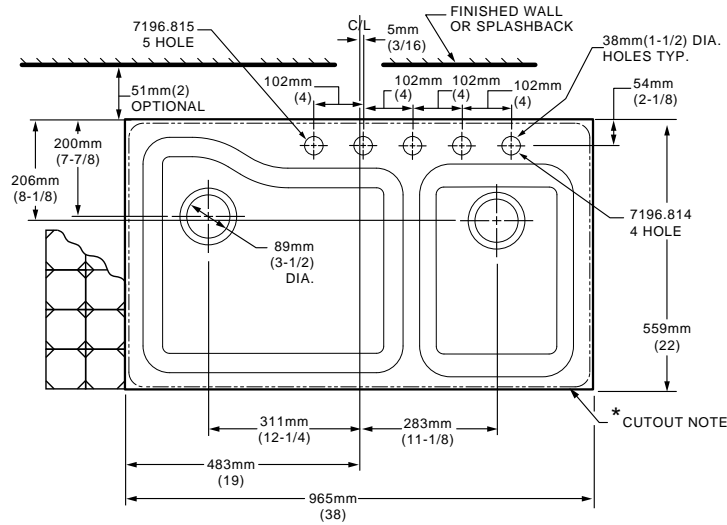
- Color:
- Faucet\*:
- Faucet Finish:
- Basket Strainer: 4331.013
- Soap Dispenser: 4503.115, Color:
- Traps:

See Pgs. KSS-05B & 05C for Colors and information  
on the following items:

- Coated Wire Utility Basket: 7346.100, Color:
- Wood Cutting Board: 9000.250
- Colander for Cutting Board: 8102.100, Color:
- Large Colander: 8103.100, Color:
- Deep Web Colander: 8105.100, Color:
- Shallow Web Colander: 8104.100, Color:
- Web Cover: 8106.100, Color:

\* See faucet section for additional models available

7196.813/814/815



FAUCET	7196.813	7196.814	X	Y
CERAMIX	2021.700	2021.741	—	327mm(12-7/8)
RELIANT	4205.241	4205.217	—	254mm(10)
HERITAGE	6270.000	6279.000	44mm(1-3/4)	—
AMARILIS	7270.SER.	7271.SER.	95mm(3-3/4)	—

NOTES:  
 \* COUNTERTOP CUTOUT 933mm x 527mm x 25mm RADIUS (36-3/4 X 20-3/4 WITH 1" RADIUS) AT CORNERS.  
 FITTINGS NOT INCLUDED AND MUST BE ORDERED SEPARATELY.  
 PROVIDE SUITABLE REINFORCEMENT FOR ALL WALL AND COUNTERTOP SUPPORTS.  
 IMPORTANT: Dimensions of fixtures are nominal and may vary within the range of tolerances established by ANSI Standard A112.19.4  
 These measurements are subject to change or cancellation. No responsibility is assumed for use of superseded or voided leaflet.