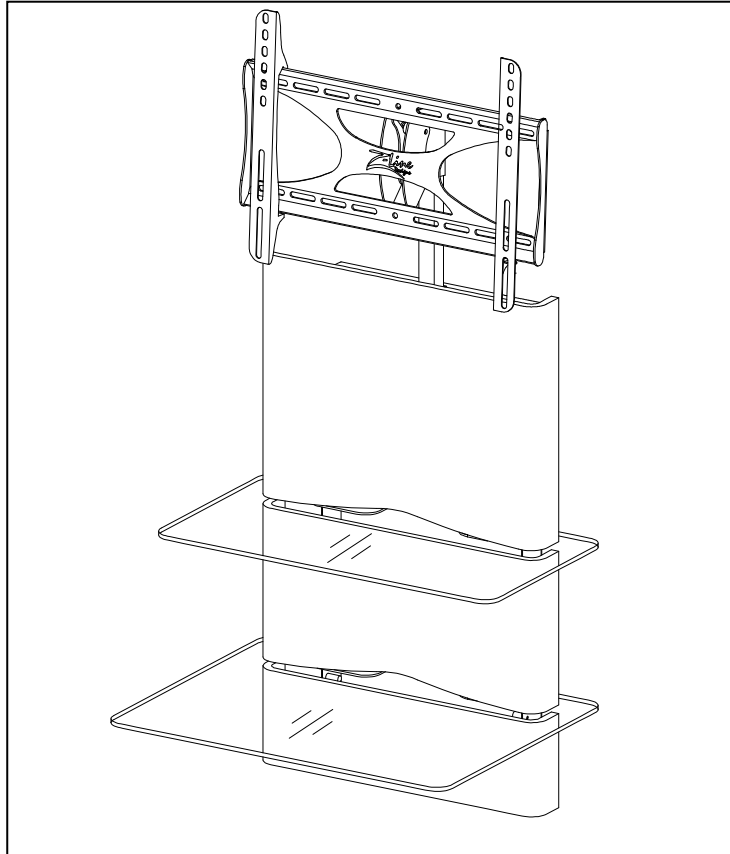




Alta Wall Furniture System with Integrated Mount

ZLN # ZL920-22WMxiiiU



⚠ DO NOT return to the store if parts are missing or damaged.

For Parts Replacements and Inquiries, please call us Toll-Free 1-888-736-2141 or E-mail

CustomerService@Z-LineDesigns.com

To ensure a timely delivery, please include the following:


1. Full Name
2. Physical Address (Our primary carrier, FedEx, will NOT deliver to P.O. Boxes)
3. Phone Number
4. QC Number: SW _____
5. ZLN Number: ZL920-22WMxiiiU
6. Part Number(s) or Letter(s)
7. Quantity
8. We also request that you please provide a brief description of the reason for your request.

Our Customer Service Representatives will be available to assist you Monday – Friday 7:00 am to 3:30 pm Pacific Standard Time (Except Holidays).

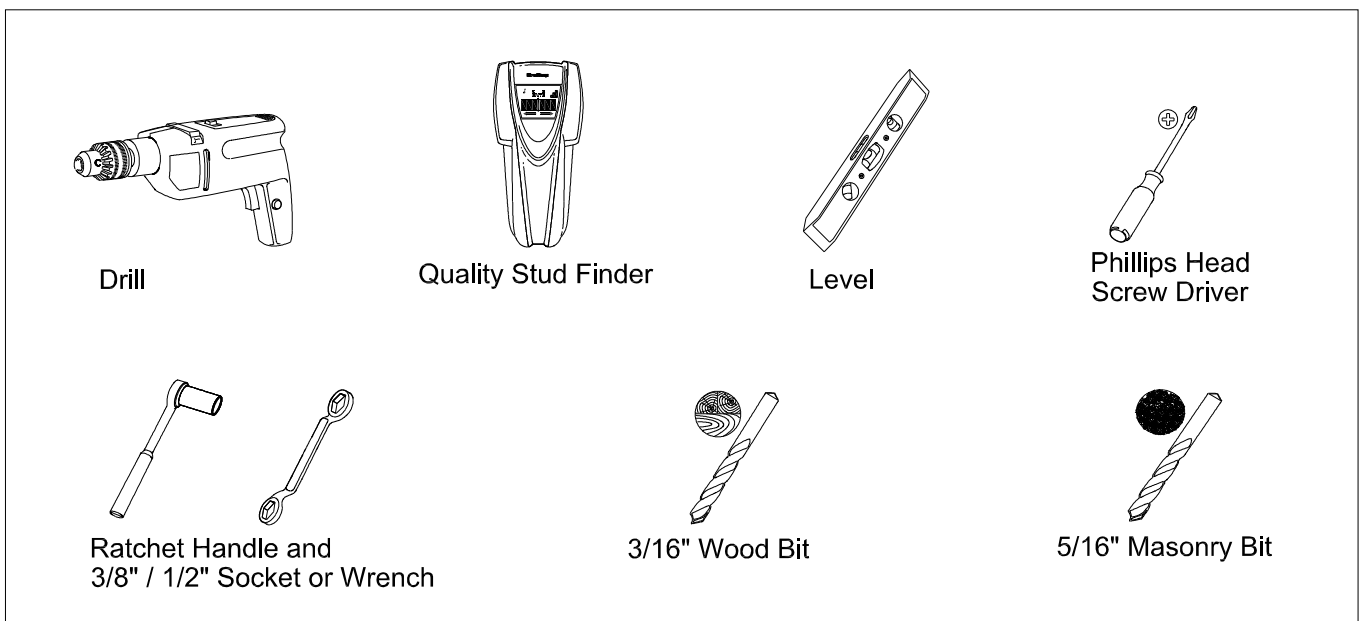
122008

Important

Estimated Assembly Time: 1hr 20Min.






 ONLY ONE PERSON IS NECESSARY FOR THE ASSEMBLY OF THIS PRODUCT, HOWEVER ONE OR MORE STEP MAY NEED A SECOND PERSON TO ASSIST.


Before you begin: Lay out all of the parts on a non-abrasive surface in order to identify and count prior to assembly. You will need the parts and hardware listed on pages 4 - 6 of this instruction manual as well as the tools shown below to assemble this unit.




NOW YOU ARE READY TO BEGIN ACTUAL ASSEMBLY!

CAUTION




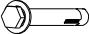




-  Do not use this product for any purpose not explicitly specified by Z-Line Designs.
-  Improper installation may cause property damage or personal injury.
-  If you do not understand these directions, or have any concerns or questions regarding the installation, contact Z-Line Designs Customer Service or call a qualified contractor.
-  Z-Line Designs is not liable for damage or injury caused by incorrect mounting, assembly, or use.
-  Do not exceed the maximum weight capacity for this product.

 The mounting surface **MUST** be vertical and constructed of Wood Wall Studs, Solid Concrete, or Concrete Block and able to hold 4 (FOUR) TIMES the weight of the total load. **The supplied hardware is NOT for Steel Stud Walls or Old Cinder Block Walls.** If you are uncertain about the condition or material of your wall, consult a qualified contractor.

 This product contains small parts that may be a choking hazard if swallowed – keep these items away from young children. The product may also contain moving parts so use with caution.




WARNING – Failure to follow these installation instructions or any other abuse, mistreatment, unreasonable use or neglect of the product shall constitute a waiver of all warranties, expressed and implied, and constitute a waiver of all claims of liability against Z-Lines Designs, Inc., its directors, officers, shareholders, parents, subsidiaries, affiliates, agents, customers and licensors, for any direct, indirect, special (including loss of revenue or income, pain and suffering, emotional distress, or similar damages), incidental, punitive, or consequential damages arising out of or resulting from the improper installation, abuse, mistreatment, unreasonable use or neglect regardless of whether such damages arise in contract, tort, under statute, in equity, at law, or otherwise.

HARDWARE IDENTIFICATION






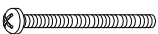


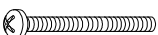




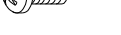
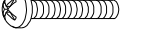
A		LAG BOLT	4 PCS
B		ALLEN WRENCH (AW4S)	1 PC
C		LAG BOLT WASHER	4 PCS
D		SAFETY SCREW	8 PCS
E		6x16x14mm ALLEN BOLT (AB61614CH)	2 PCS
F		6x22x14mm ALLEN BOLT (AB62214CH)	8 PCS
G		SAFETY SCREW	2 PCS
H		SUPPORT PLATE	4 PCS

*Extra hardware is enclosed for your convenience.

THE BELOW PARTS ARE PRE-ASSEMBLED AND ARE LISTED AS A REFERENCE ONLY.

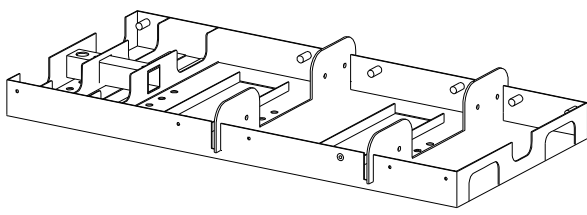
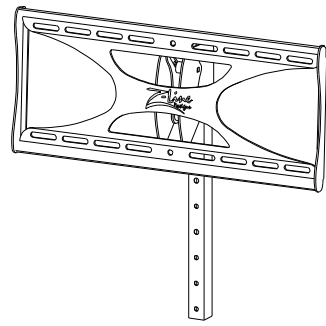
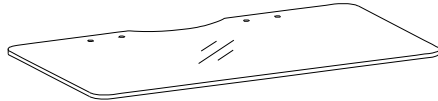
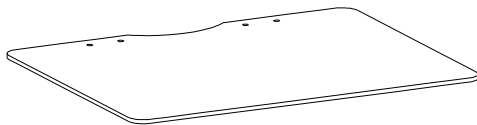


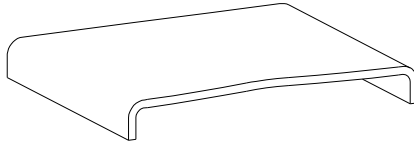
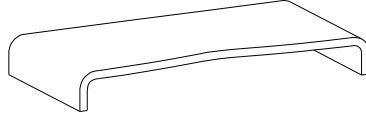
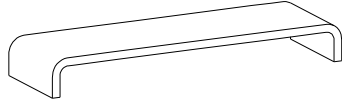
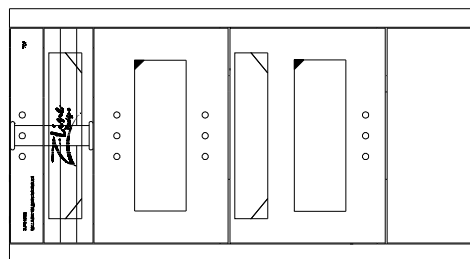
I		"U" SHAPE CLIP	12 PCS
J		3x6x6mm WOOD SCREW (RHWS366BR)	24 PCS
K		END CAP	1 PC

MOUNTING HARDWARE IDENTIFICATION

MA		DUAL-HOLE WASHER	4 PCS
MB		SMALL SPACER	4 PCS
MC		LARGE SPACER	4 PCS
MD		4x15x8mm MACHINE SCREW (MS4158BL)	4 PCS
ME		4x35x8mm MACHINE SCREW (MS4358BL)	4 PCS
MF		4x54x8mm MACHINE SCREW (MS4548BL)	4 PCS
MG		5x15x8mm MACHINE SCREW (MS5158BL)	4 PCS
MH		5x35x8mm MACHINE SCREW (MS5358BL)	4 PCS
MI		5x54x8mm MACHINE SCREW (MS5548BL)	4 PCS
MJ		6x15x10mm MACHINE SCREW (MS61510BL)	4 PCS
MK		6x35x10mm MACHINE SCREW (MS63510BL)	4 PCS
ML		6x54x10mm MACHINE SCREW (MS65410BL)	4 PCS
MM		8x15x14mm MACHINE SCREW (MS81514BL)	4 PCS
MN		8x35x14mm MACHINE SCREW (MS83514BL)	4 PCS
MO		8x54x14mm MACHINE SCREW (MS85414BL)	4 PCS

***Note:** Included are procedures and hardware for multiple mounting configurations so not all hardware included will be used.

PARTS IDENTIFICATION

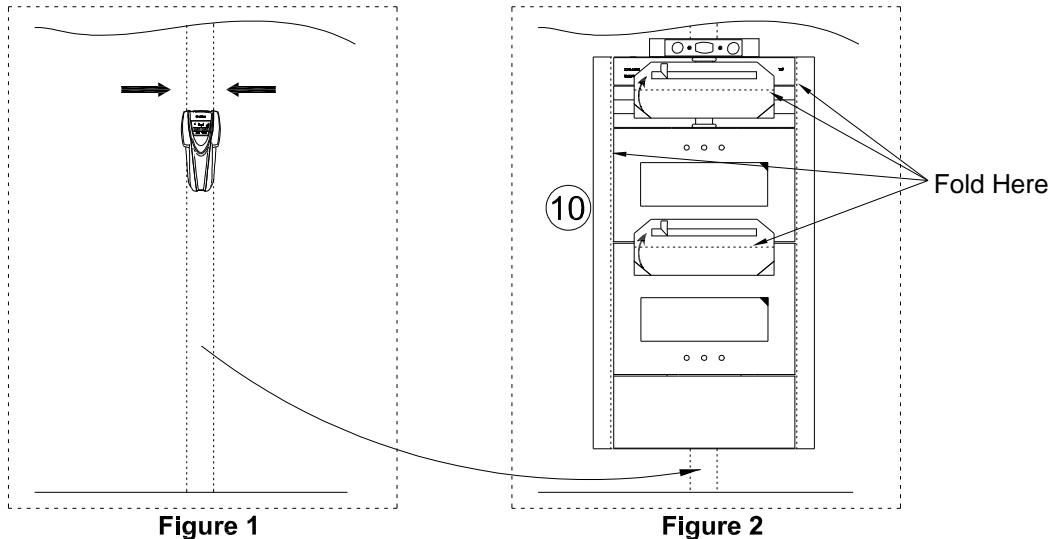
①		BACK FRAME	1 PC
②		UPPER MOUNTING FRAME	1 PC
③		UPPER GLASS SHELF	1 PC
④		LOWER GLASS SHELF	1 PC
⑤		LEFT MOUNTING RAIL	1 PC
⑥		RIGHT MOUNTING RAIL	1 PC
⑦		UPPER COVER PLATE	1 PC
⑧		MIDDLE COVER PLATE	1 PC
⑨		LOWER COVER PLATE	1 PC
⑩		MOUNTING TEMPLATE GUIDE	1 PC

MOUNTING INSTRUCTIONS

***NOTE: For Wood Stud Mounting please refer to Steps 1 - 3.**

***NOTE: For Masonry/Concrete Mounting please refer to Steps 4 - 6.**

STEP 1 - Wood Stud Mounting:

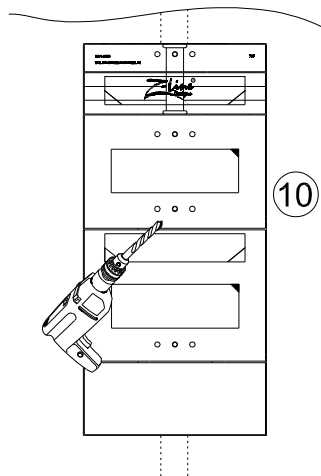


1. Using a Stud Finder, locate the Stud you will be mounting (1) Back Frame to (in Step 2) and and mark the CENTER of the Stud as shown in Figure 1.
2. Fold the Right and Left Edges of (10) Mounting Template Guide inward 90°.
3. Now fold the Middle Flaps located on (10) Mounting Template Guide and remove the Adhesive Covers.
4. With the Middle Flaps still folded inward, position (10) Mounting Template Guide so that the Pilot Holes are over the CENTER of the Stud as shown in Figure 2.

***NOTE: Use a Level to make sure the Template is positioned properly.**

5. Now press the Middle Flaps downward to adhere them to the wall.

STEP 2 - Wood Stud Mounting:

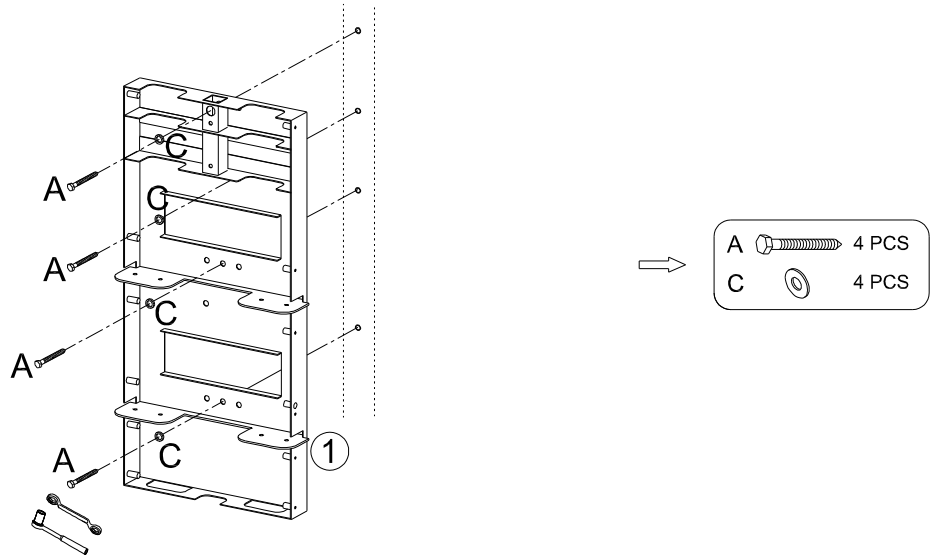


1. Use a 3/16" Wood Bit to drill your Pilot Holes.

***NOTE: You may also at this time mark the holes for any optional in-wall wiring you plan to do.**

2. Now remove (10) Mounting Template Guide.

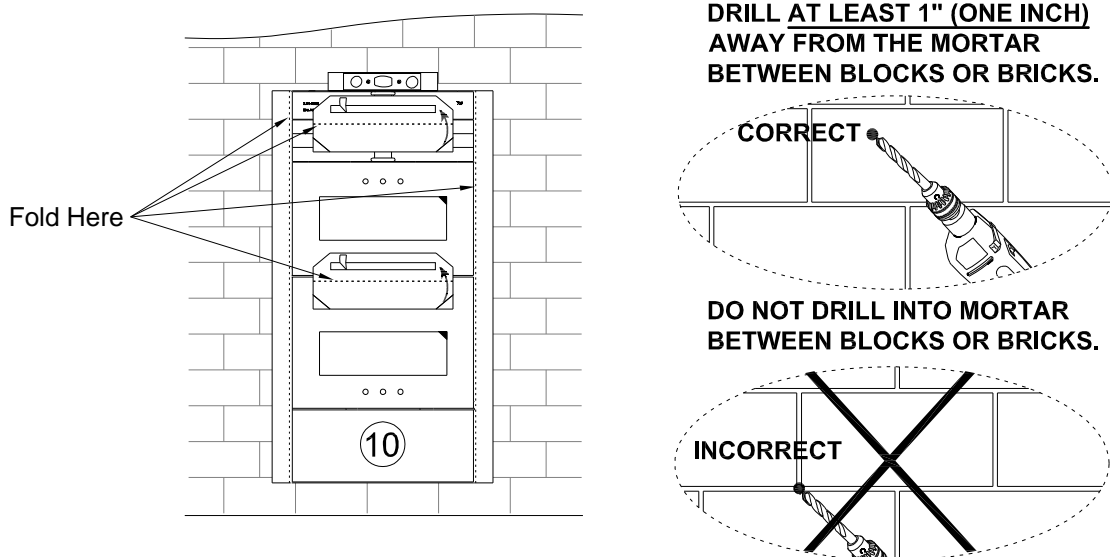
STEP 3 - Wood Stud Mounting:



1. Mount (1) Back Frame at this time with (A) Lag Bolts and (C) Lag Bolt Washers as shown, using a Ratchet Handle and 1/2" Socket or 1/2" Wrench to **FULLY TIGHTEN**.

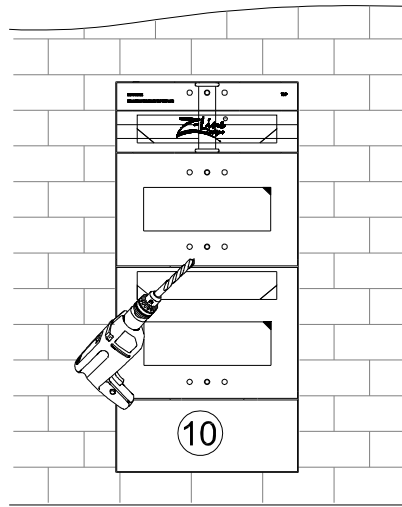
2. **Continue to Step 7.**

STEP 4 - Masonry (Solid Concrete/Block or Brick Wall) Mounting:



1. Make sure your Mounting Surface is free of dust and debris.
2. Fold the Right and Left Edges of (10) Mounting Template Guide inward 90°.
3. Now fold the Middle Flaps located on (10) Mounting Template Guide and remove the Adhesive Covers.
4. With the Middle Flaps still folded inward, position (10) Mounting Template Guide as desired, using a Level to make sure the Template is positioned properly.
5. Now press the Middle Flaps downward to adhere them to the wall.

STEP 5 - Masonry (Solid Concrete/Block or Brick Wall) Mounting:



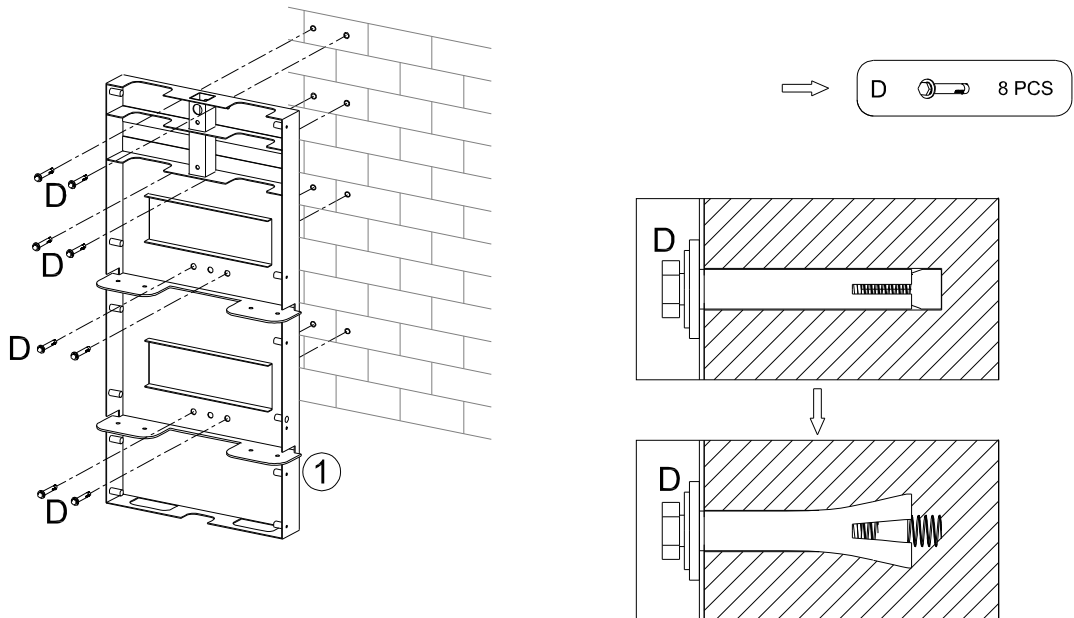
1. Use a 5/16" Masonry Bit to drill your Pilot Holes.

***NOTE: You may want to start off by drilling a smaller Pilot Hole with a smaller Bit first.**

***NOTE: You may also at this time mark the holes for any optional in-wall wiring you plan to do.**

2. Now remove (10) Mounting Template Guide.

STEP 6 - Masonry (Solid Concrete/Block or Brick Wall) Mounting:



1. Mount (1) Back Frame at this time with (D) Masonry Bolts/Anchors as shown, using a Ratchet Handle and 3/8" Socket or 3/8" Wrench to **FULLY TIGHTEN**.

2. **Continue to the next Step.**

STEP 7

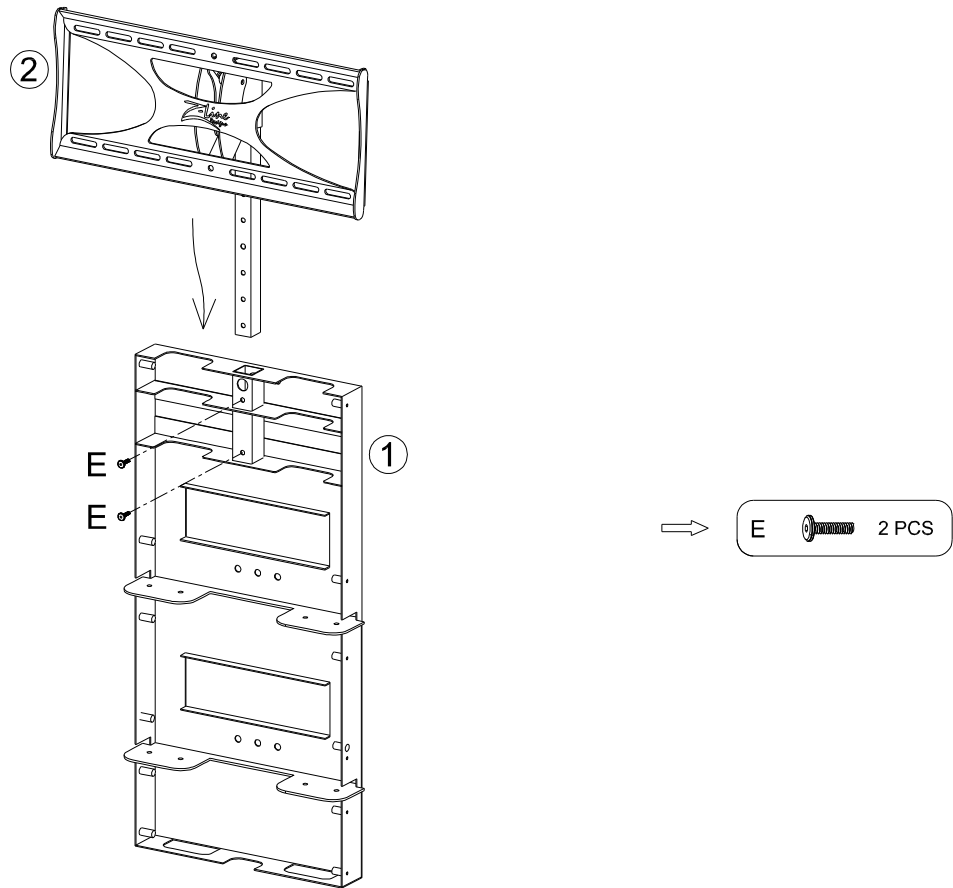
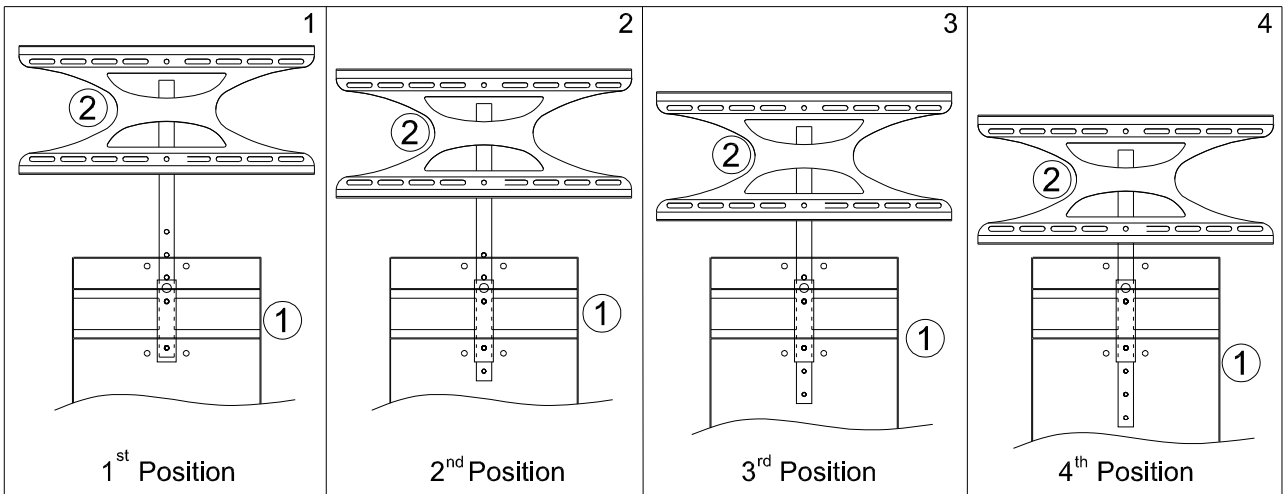


FIGURE 1

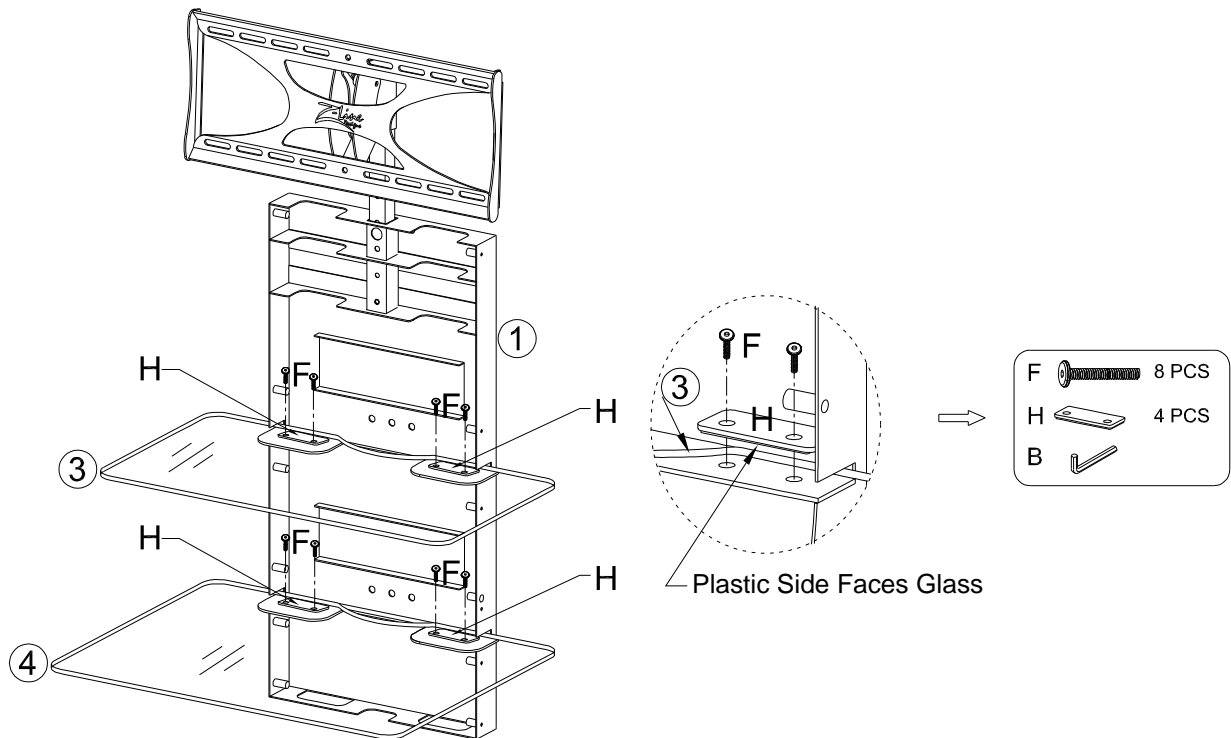


***NOTE: There are 4 different positions for (2) Upper Mounting Frame as shown in Figure 1. Please decide your preferred height at this time.**

Slide (2) Upper Mounting Frame into the CENTER of (1) Back Frame and set it to the desired height. Secure with (E) 6 x 16 x14mm Allen Bolts as shown.

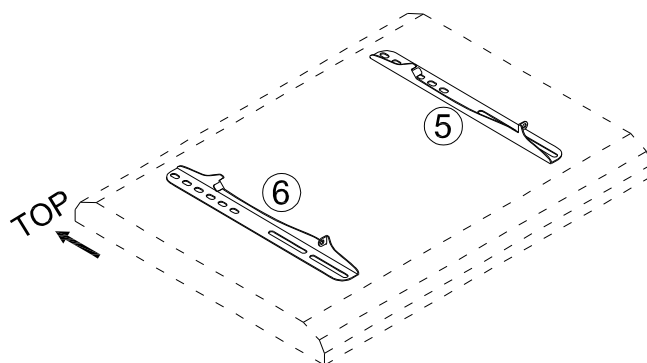
***NOTE: DO NOT FULLY TIGHTEN ALLEN BOLTS UNTIL THE END OF STEP 8.**

STEP 8



1. Carefully set (3) Upper Glass Shelf and (4) Lower Glass Shelf in place as shown.
2. Now set (H) Support Plates in place, making sure the Plastic Sides FACE the Glass. Secure from the TOP with (F) 6 x 22 x 14mm Allen Bolts.
3. **FULLY TIGHTEN ALL ALLEN BOLTS with (B) Allen Wrench at this time.**

STEP 9



1. Carefully lay your Plasma/Flat Panel TV on its FACE on a non-abrasive surface, making sure to lay padding underneath so as not to damage the screen.
2. Now set (5) Left Mounting Rail and (6) Right Mounting Rail in the appropriate positions, making sure they are CENTERED on the back of the TV and LEVEL with one another.

***NOTE: Make sure the Curved Edges face OUTWARD.**




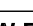






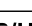
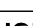
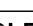

STEP 10

⚠ PAY EXTRA CARE AND ATTENTION TO THIS STEP. MAKE SURE THE APPROPRIATE MOUNTING HARDWARE IS BEING USED PROPERLY. ⚠

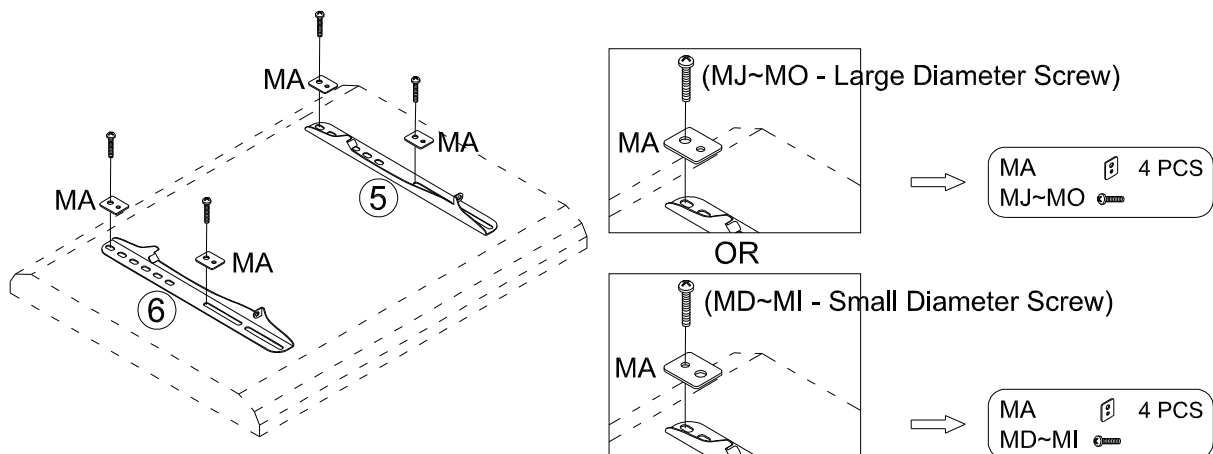
- BEFORE YOU CONTINUE YOU WILL NEED TO DETERMINE THE DIAMETER OF THE NECESSARY MACHINE SCREW FOR YOUR TV. Hand-thread each diameter Machine Screw until you find the size that fits properly. STOP IMMEDIATELY IF THERE IS ANY RESISTANCE.
- Once you have established the correct diameter, you will need to select the appropriate length.

FLAT BACK TV: You will only need to use the 15mm long Machine Screws. Please discard the 35mm and 54mm Machine Screws and Spacers and continue to Step 10A at the bottom of this page.

ROUNDED, INSET OR OBSTRUCTED BACK TV: The Machine Screws that are 35mm and 54mm in length are to be used with the provided Spacers on a Rounded Back TV. Please continue to Step 10B on the next page.

SCREW DIAMETER/HOLE SIZE REFERENCE						
	HARDWARE IDENTIFICATION	PICTURE	THREAD DIAMETER (mm)	LENGTH (mm)	HEAD DIAMETER (mm)	DUAL-HOLE WASHER/SPACER POSITIONING
M4	MD		4	15	8	SMALL HOLE (6mm) 
	ME		4	35	8	
	MF		4	54	8	
M5	MG		5	15	8	LARGE HOLE (8mm) 
	MH		5	35	8	
	MI		5	54	8	
M6	MJ		6	15	10	
	MK		6	35	10	
	ML		6	54	10	
M8	MM		8	15	14	
	MN		8	35	14	
	MO		8	54	14	

STEP 10A - FLAT BACK

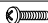
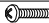
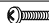
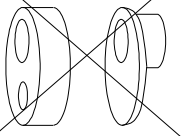
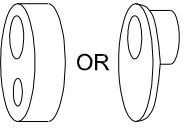

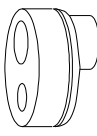


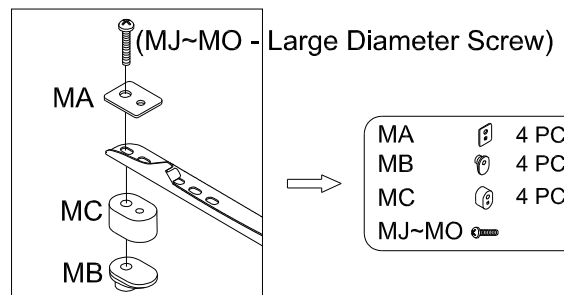
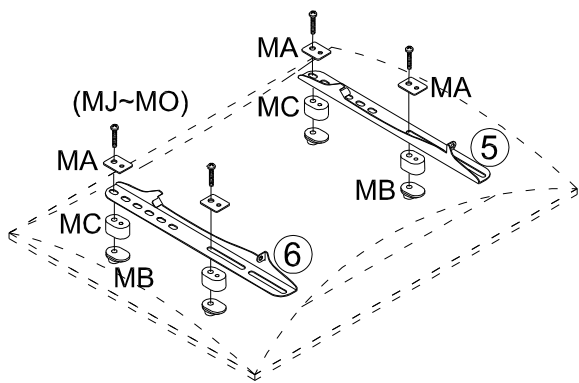
- Now Insert Machine Screws through the appropriate holes located on (MA) Dual-Hole Washers (see Screw Diameter/Hole Size Reference above), next though (5) Left Mounting Rail and (6) Right Mounting Rail, and then into the TV.

***NOTE:** the position of the Mounting Brackets and Hardware will be determined by the type of TV that you have. These diagrams are not designed to show the exact positioning, they are only to be used as a guide.

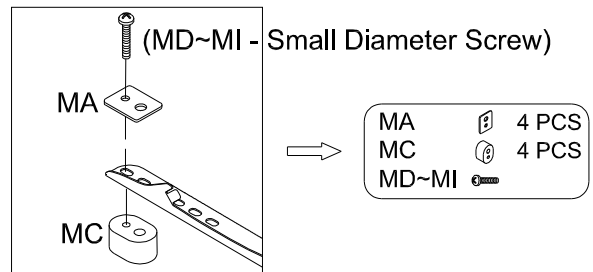
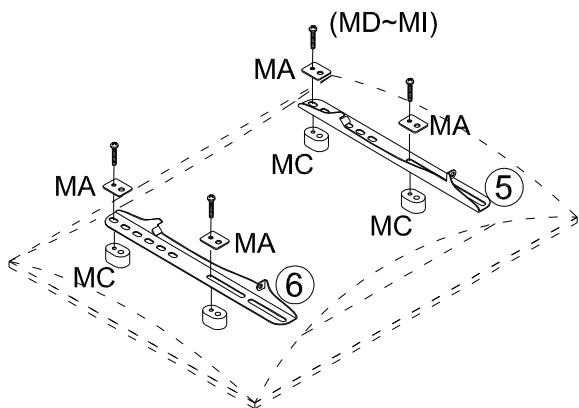
SECURE MACHINE SCREWS FULLY BUT DO NOT OVER-TIGHTEN.

STEP 10B - ROUNDED BACK

SCREW LENGTH/SPACER GUIDE			
PICTURE			
SCREW LENGTH	15mm	35mm	54mm
	N/A	S or T	S and T
SPACER S(5/8")/T(3/4")		 OR 	



OR



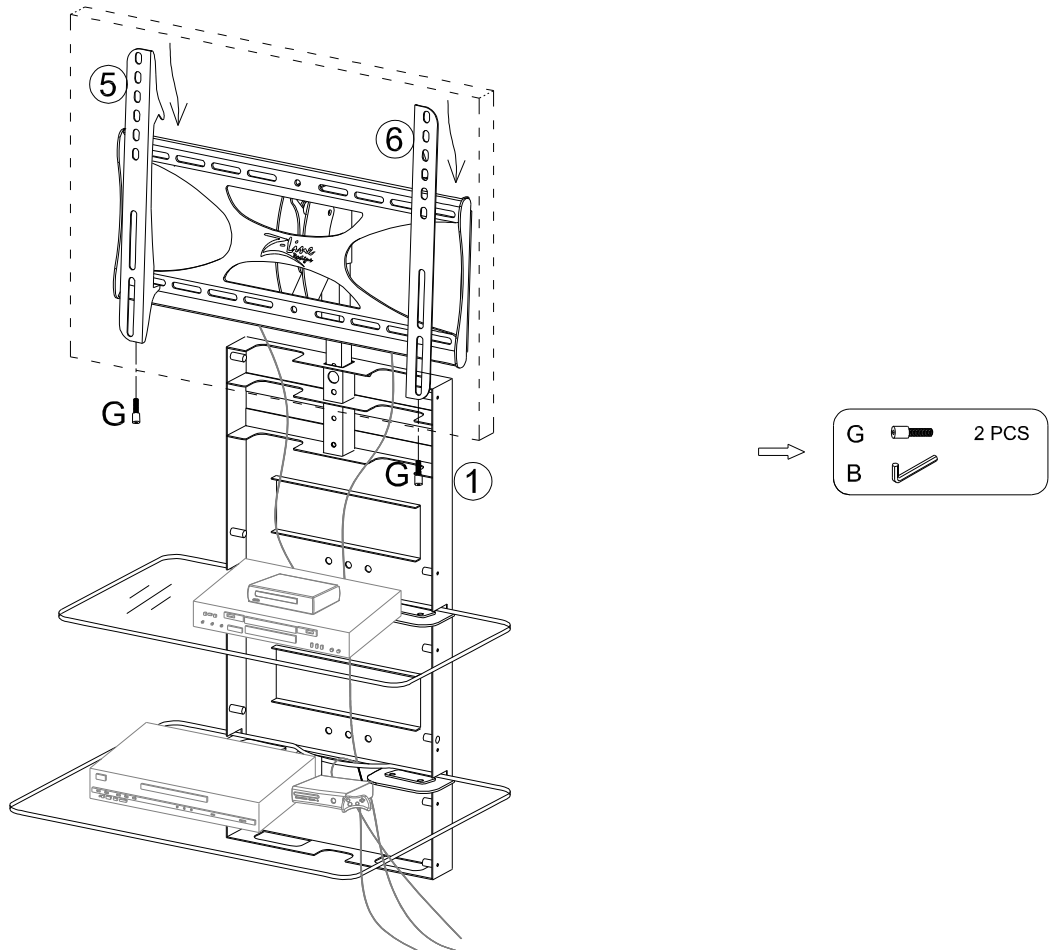
4. Place (MB) Small Spacers and/or (MC) Large Spacers and (5) Left Mounting Rail and (6) Right Mounting Rail in the appropriate position, making sure the Rails are CENTERED on the back of the TV and LEVEL with one another.

5. Now Insert Machine Screws through the appropriate holes located on (MA) Dual-Hole Washers (see Screw Diameter/Hole Size Reference on the previous page), though (5) Left Mounting Rail and (6) Right Mounting Rail, through (MB) Small Spacers and/or (MC) Large Spacers, and then into the TV.

***NOTE:** the position of the Mounting Brackets and Hardware will be determined by the type of TV that you have. These diagrams are not designed to show the exact positioning, they are only to be used as a guide.

SECURE MACHINE SCREWS FULLY BUT DO NOT OVER-TIGHTEN.

STEP 11



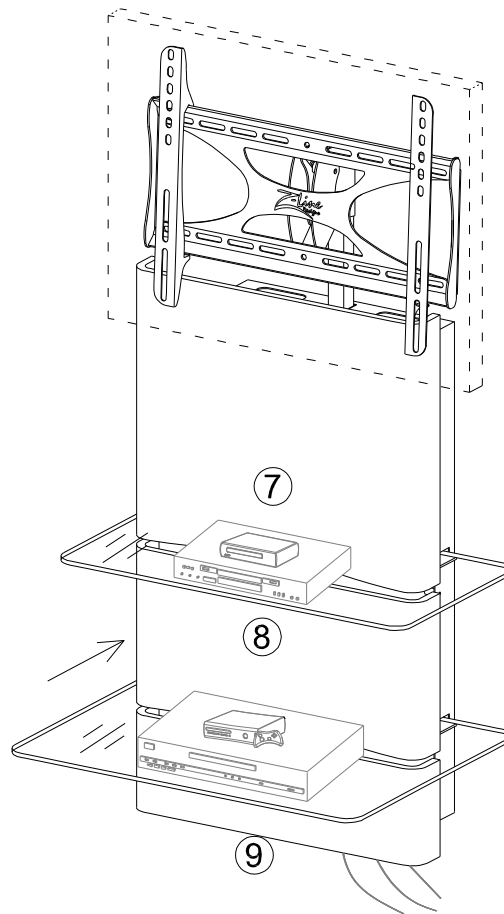
YOU WILL NEED A SECOND PERSON TO HELP LIFT YOUR PLASMA/FLAT PANEL TV AND THEN HOLD IT IN PLACE UNTIL IT IS SECURED.

1. Carefully lift your Plasma/Flat Panel TV with the attached Mounting Rails and set into position on (2) Upper Mounting Frame.
2. Once the Mounting Rails are in position and CENTERED on (2) Upper Mounting Frame, secure the BOTTOMS with (G) Safety Screws as shown. Use (B) Allen Wrench to FULLY TIGHTEN.

***NOTE: You will need to tilt the Plasma/Flat Panel TV UPWARD in order to easily reach and secure (G) Safety Screws.**

3. Now set your components (DVD Player, Receiver, Cable Box, etc.) in place on the Glass Shelves and slide the wires through the provided Wire Management Holes.

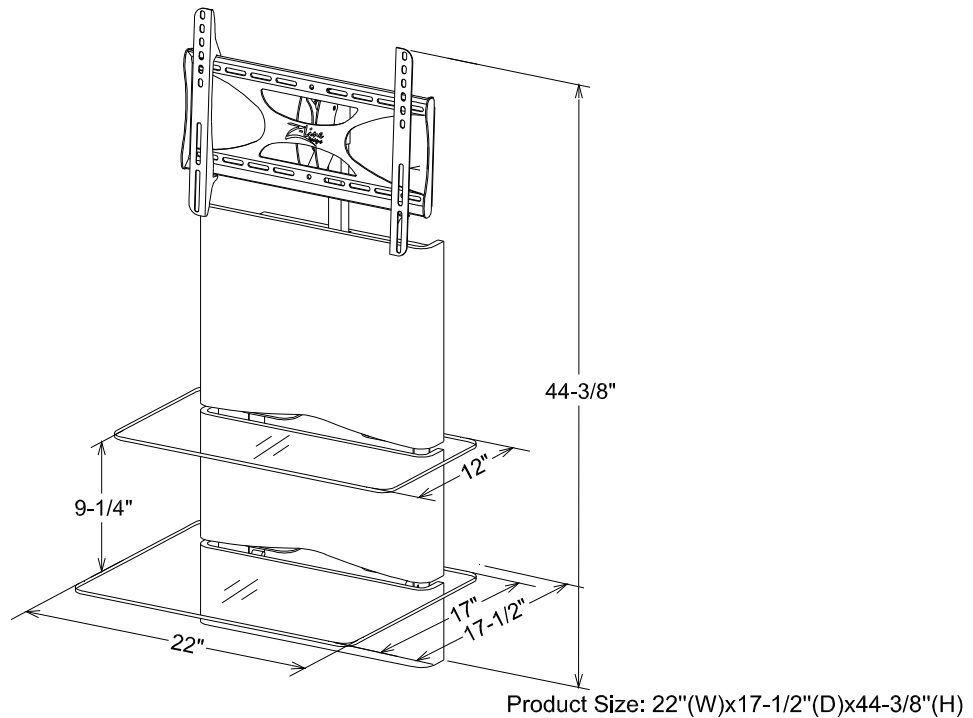
STEP 12



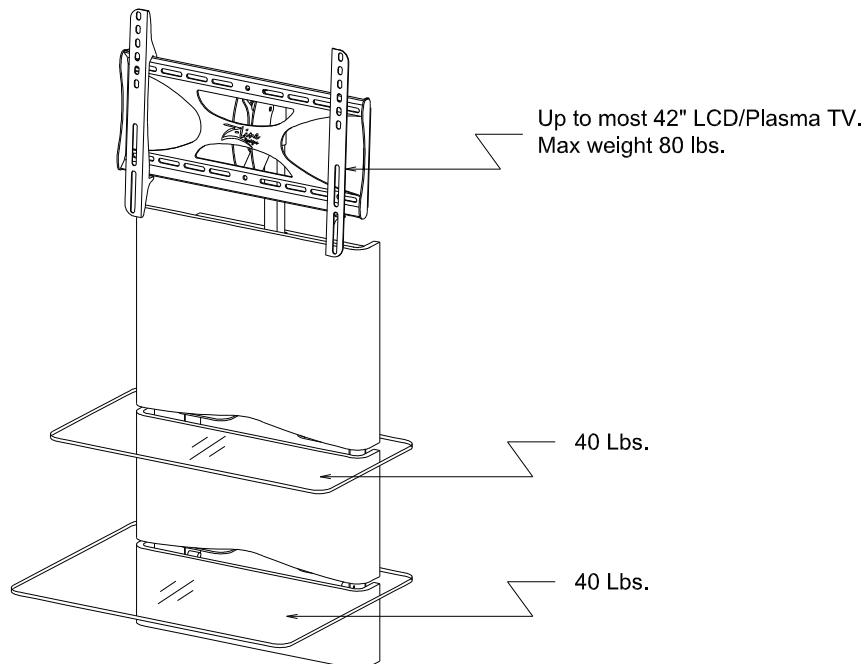
Now snap (7) Upper Cover Plate, (8) Middle Cover Plate, and (9) Lower Cover Plate in place as shown.

CONGRATULATIONS, YOUR Z-LINE DESIGNS ALTA WALL FURNITURE SYSTEM WITH INTEGRATED MOUNT IS NOW COMPLETE!

DIMENSIONS



MAXIMUM WEIGHT CAPACITIES



⚠ CAUTION: This product is intended to hold the Maximum Weight indicated. Exceeding the Maximum Weight will result in instability and may cause possible injury.

If the glass is chipped or broken stop using the product and consult the manufacturer or supplier.

*** GLASS CAUTION:**

- DO NOT place very hot or very cold items on the glass surface(s) unless adequately thick table mats are used to prevent such items from coming into contact with the glass. DO NOT sit or stand on the glass surface(s).
- DO NOT use the glass as a chopping surface.
- DO NOT strike the glass with hard or pointed items.
- When cleaning the glass, use a liquid glass surface cleanser and a soft cloth; DO NOT use harsh powders or any other abrasive substances as they will scratch the glass.



Creating beauty, Manufacturing great value!



Limited Lifetime Warranty

Thank you for purchasing a Z-Line Designs product. We promise to repair or replace any Z-Line Designs product or component that may have any defects in material or workmanship for as long as you, the original purchaser, own it. This warranty is subject to the provisions below. Z-Line Designs' sole obligation and purchasers' exclusive remedy pursuant to these warranties are limited to replacement at Z-Line Designs sole discretion. There are no other warranties except as expressly set forth below, either expressed or implied, including any warranty of merchantability for any particular purpose.

The word "defects" in this warranty is defined as imperfections that impair the service, function or effectiveness of the product.

FIVE YEARS:

Glides, casters and user-adjustable work surface mechanisms, laminates, veneer finishes, and other materials which cover your Z-Line Designs product.

INFORMATION ON COLOR VARIATIONS & FINISHES:

Some natural variations occurring in wood or other natural materials are inherent to their character, and thus can not be avoided. Therefore they are not considered to be defects. Z-Line Designs does not warrant the color-fastness or matching of colors, grains, textures or other such materials. Customers' own materials selected by and used at the request of a user are therefore not warranted by Z-Line Designs.

LIMITATIONS INVOLVING MATERIALS & COMPONENTS:

The materials and all components listed below are covered according to the following schedule from the date of sale to the original purchaser.

EXCLUSIONS:

This warranty does not apply to: damage caused by the carrier, modifications to the product, or attachments to the product not approved by Z-Line Designs, non-standard materials selected by and used at the request of a user, and products that were not installed, used or maintained in accordance with product instructions and warnings. Nor shall Z-Line Designs have any responsibility for incidental or consequential damages resulting from the breach of this Warranty, including but not limited to inconvenience, rental or purchase of replacement products, loss of profits or commercial loss. Some states do not allow the exclusion or limitation of incidental or consequential damages so the above limitation or exclusion may not apply to you. This warranty gives you specific legal rights and you may also have other rights, which may vary from state to state. This warranty applies only to products sold within the United States of America and the Commonwealth of Canada.

TO OBTAIN SERVICE FROM THIS WARRANTY:

Your Z-Line Designs' dealer is our mutual partner in supporting your warranty requests. By following the procedures instructed below, you are assured that you will receive the best level of customer service guaranteed.

- A) Please contact the local Dealer from whom you originally purchased within 30 days (unless otherwise noted by the Dealer) of discovery of the defect. Prepare to confirm that you are the original purchaser of the product and provide necessary product information, such as serial number(s)/UPC number(s) from the product in question.
- B) The Dealer will gather all the pertinent information required regarding your claim(s), inspect the product and thus contact a Z-Line Designs Customer Service Representative. (Please allow a reasonable amount of time for inspection, review, and response to Dealer.
- C) If the Z-Line Designs Dealer confirms that the product in review is eligible under the warranty conditions as stated above, the customer service representative or another representative of the Company will determine whether to provide replacement parts, or authorize other arrangements at the sole discretion of the vendor, Z-Line Designs. No assembly/labor is included in this warranty.

TO CONTACT CUSTOMER SERVICE:

Our knowledgeable Service Representatives are ready to assist you in the case this warranty applies to you. Please be prepared to explain the defect in detail, model/style number, date and location of purchase, your name, address, phone number and have your original sales receipt.

Please contact us Monday-Friday (except all major holidays) at:

Toll Free 1-888-736-2141 from 7:00 am – 3:30 pm (Pacific Standard Time) OR Email us: customerservice@z-linedesigns.com

OR

Contact your local dealer from whom you originally purchased the product in question.