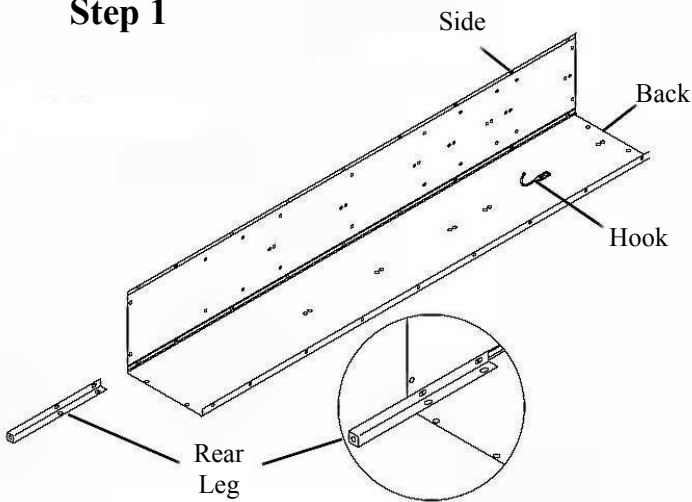


Assembly Instructions – ASI Lockers

This instruction sheet is a basic assembly guide for all locker types. All shelves should be bolted in before moving on the next step. If the locker being assembled is not in a group, then bolt in both rear angle legs.

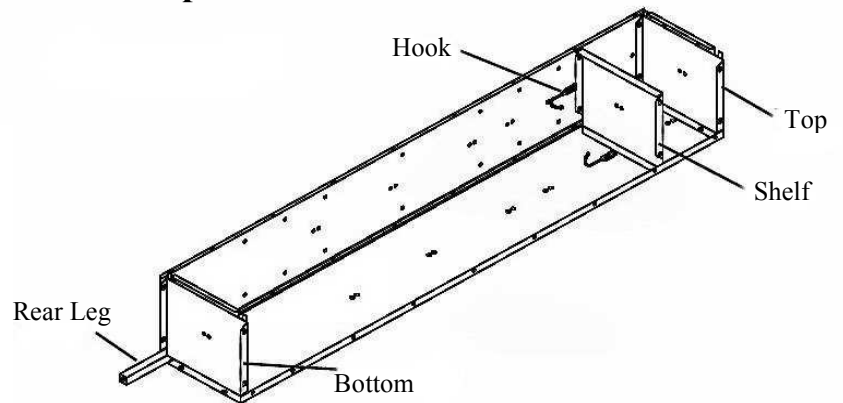
TIGHTEN ALL NUTS AND BOLTS AFTER YOU HAVE COMPLETELY ASSEMBLED THE LOCKER TO ENSURE A TIGHT STRONG FIT!

Step 1

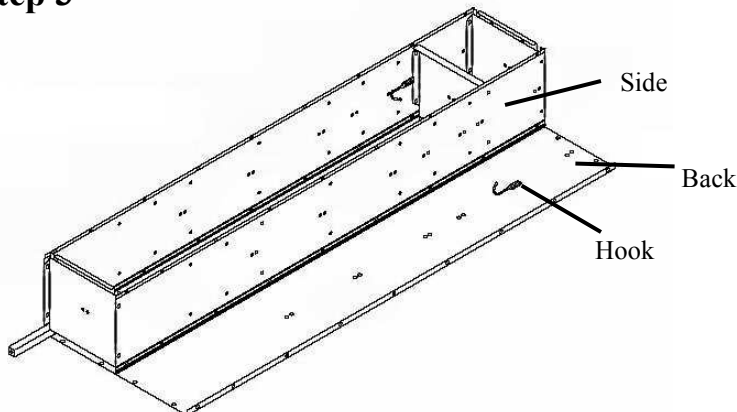


(Hook holes are located at the top of the sides and backs.)

Step 2

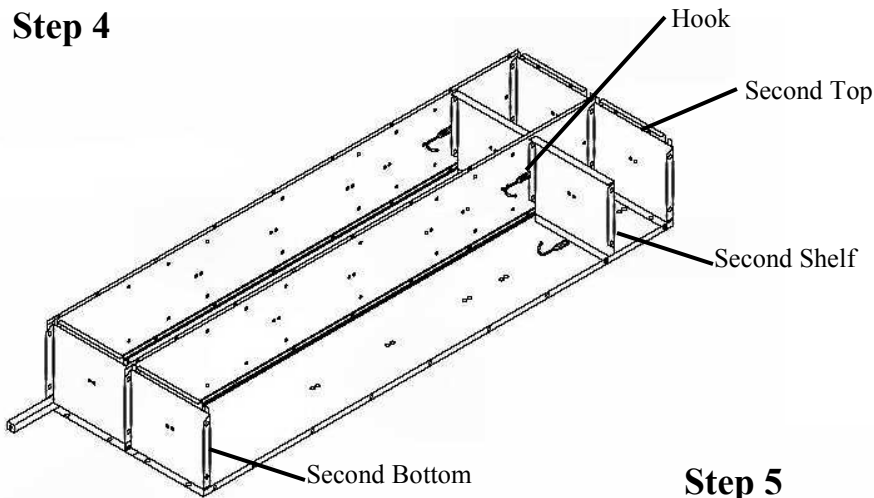


Step 3

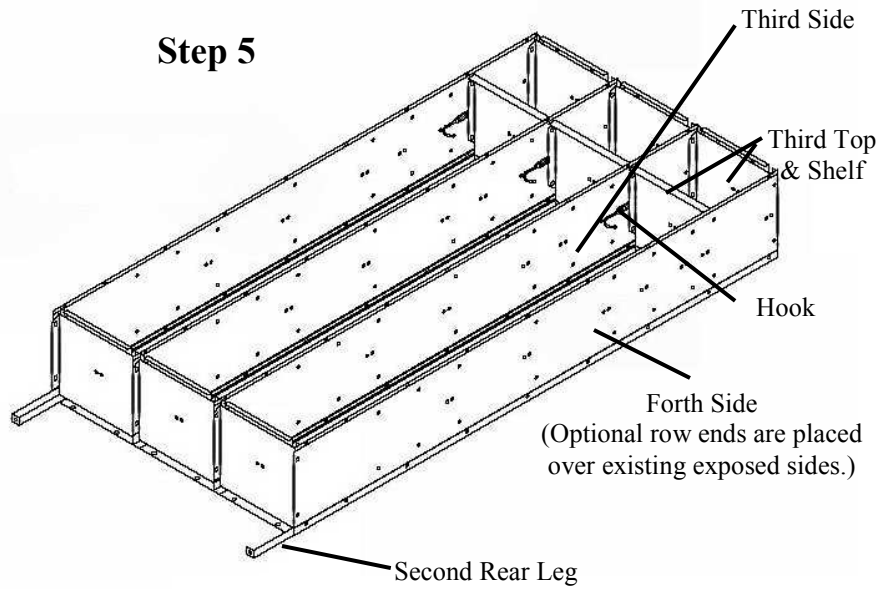


(Continued on Back)

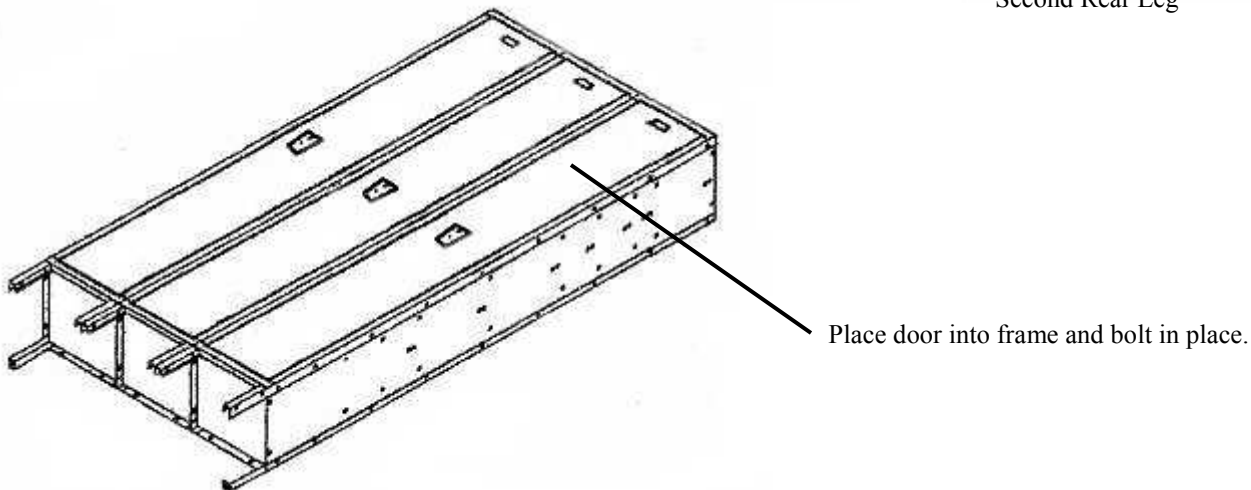
Step 4



Step 5



Step 6



ASI RECOMMENDS THAT ALL LOCKERS SHALL BE ANCHORED TO THE WALL AND/OR FLOOR SECURELY WITH APPROPRIATE FASTENERS SUPPLIED BY THE INSTALLER.

Note: When using locks, DO NOT shut the doors after assembly unless you have the keys or the locker combinations to open them back up.



ASI STORAGE SOLUTIONS INC. * 5717 Distribution Drive * Memphis, TN 38141
Phone: (901) 312-6195 * Fax: (901) 312-6197 * Website: www.asilockers.com